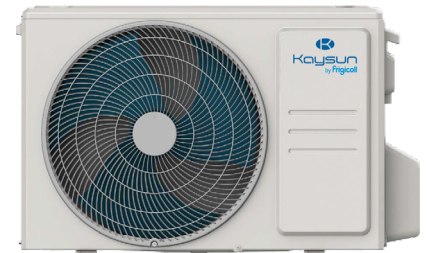


Floor / Ceiling

PRODUCT SHEET



KID-05 S
Recommended controller



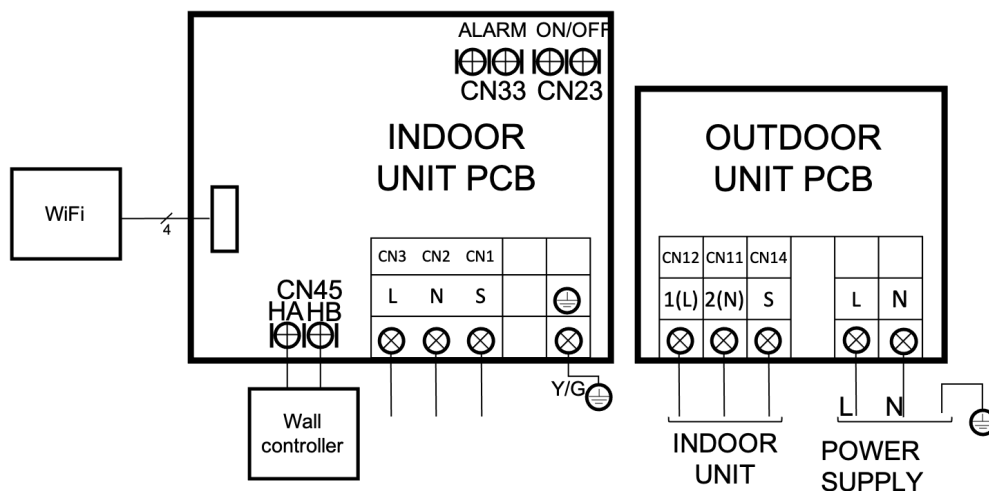
Product certified by:



FEATURES

Model	KPCA-52 DVR13 / KPCA-52 DVR13-X
Cooling capacity	5,28 kW
Cooling power input	1.450 W
Heating capacity	5,57 kW
Heating power input	1.500 W
ErP Classification cold/heat	A+++ / A+
Airflow (indoor)	723/839/958 m ³ /h
Sound pressure (indoor)	37/41/44 dB(A)
Airflow (outdoor)	2.100 m ³ /h
Sound pressure (outdoor)	56 dB(A)
Power supply	220-240 V / 1 / 50 Hz
Max. input	13,50 A
Power wiring (indoor)	With communication
Power wiring (outdoor)	(2+T)x1,50 mm ²
Communication wiring	(3+T)x1 mm ²

WIRING DIAGRAM



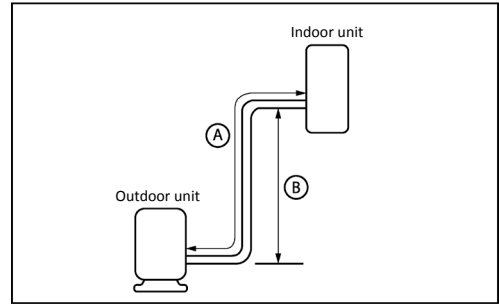
NOTES:

(1) The data and specifications present in this sheet may vary without notice.

(2) The images on this sheet are indicative and may be different from the final machine.

COOLING CONNECTION

Model	KPCA-52 DVR13 / KPCA-52 DVR13-X	
Refrigerating pipes	Ø1/4" / Ø1/2"	
Refrigerant charge / Additional charge	1,15 kg / 0,012 kg	
Indoor drain pipe	Ø25	
Max. pipe length (A)	30 m	
Max. level difference (B)	20 m	

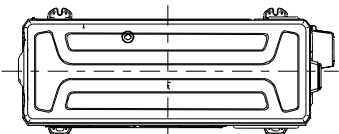
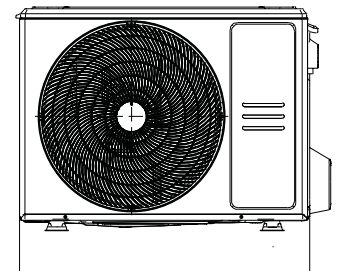
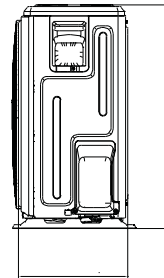
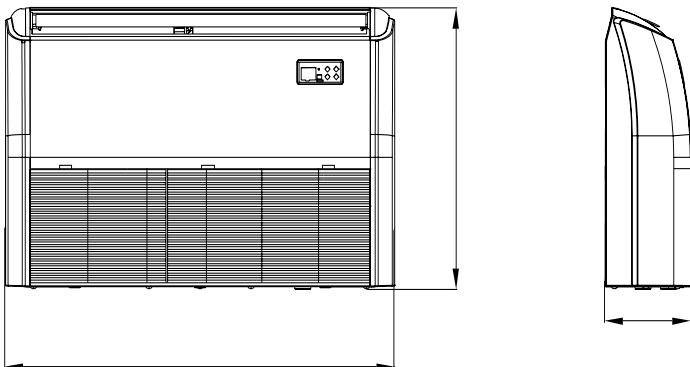


DIMENSIONS & WEIGHT INDOOR

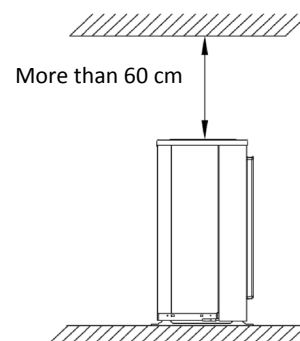
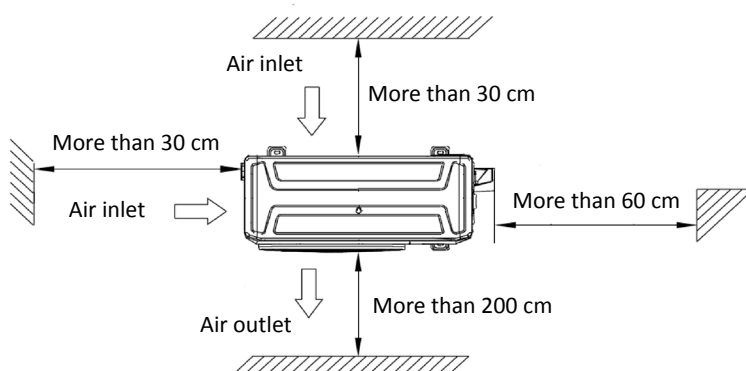
Model	KPC-52 DR13 / KPC-52 DR13-X
Width	1.068 mm
Height	235 mm
Depth	675 mm
Weight	28 kg

DIMENSIONS & WEIGHT OUTDOOR

Model	KUE-52 DVR13
Width	805 mm
Height	554 mm
Depth	330 mm
Weight	32,50 kg



INSTALLATION

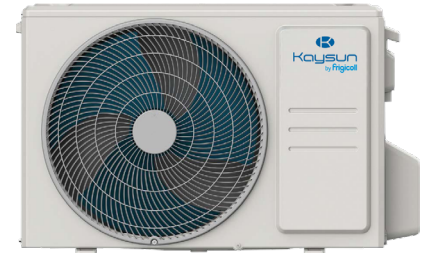


Floor / Ceiling

PRODUCT SHEET



KID-05 S
Recommended controller



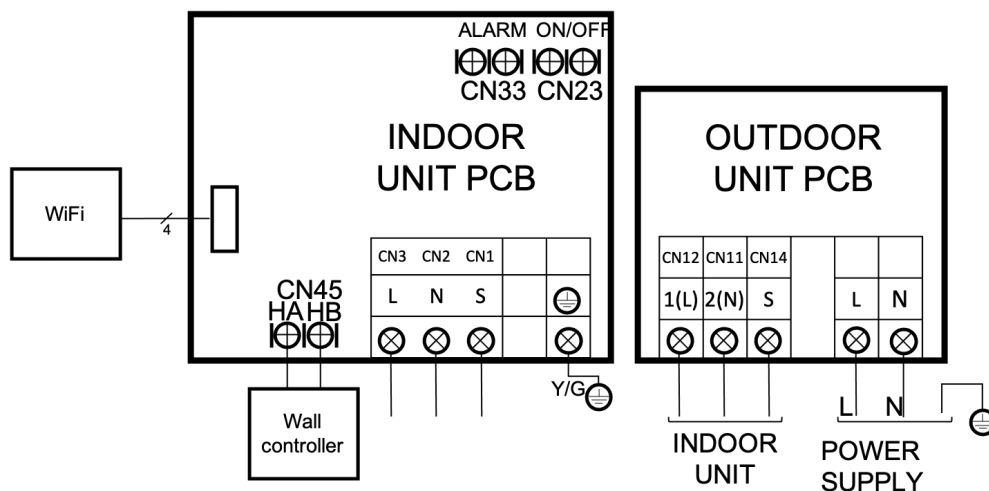
Product certified by:



FEATURES

Model	KPCA-71 DVR13 / KPCA-71 DVR13-X
Cooling capacity	7,03 kW
Cooling power input	2.300 W
Heating capacity	7,62 kW
Heating power input	2.050 W
ErP Classification cold/heat	A+++ / A+
Airflow (indoor)	853/1.023/1.192 m ³ /h
Sound pressure (indoor)	43/47/51 dB(A)
Airflow (outdoor)	3.500 m ³ /h
Sound pressure (outdoor)	60 dB(A)
Power supply	220-240 V / 1 / 50 Hz
Max. input	19 A
Power wiring (indoor)	With communication
Power wiring (outdoor)	(2+T)x4 mm ²
Communication wiring	(3+T)x1 mm ²

WIRING DIAGRAM

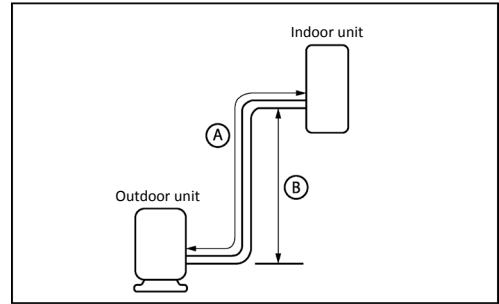


NOTES:

- (1) The data and specifications present in this sheet may vary without notice.
- (2) The images on this sheet are indicative and may be different from the final machine.

COOLING CONNECTION

Model	KPCA-71 DVR13 / KPCA-71 DVR13-X	
Refrigerating pipes	Ø3/8" / Ø5/8"	
Refrigerant charge / Additional charge	1,50 kg / 0,024 kg	
Indoor drain pipe	Ø25	
Max. pipe length (A)	50 m	
Max. level difference (B)	25 m	

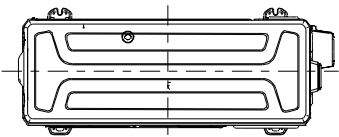
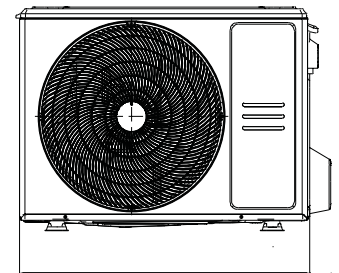
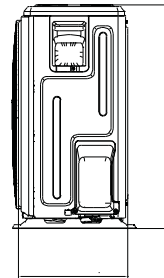
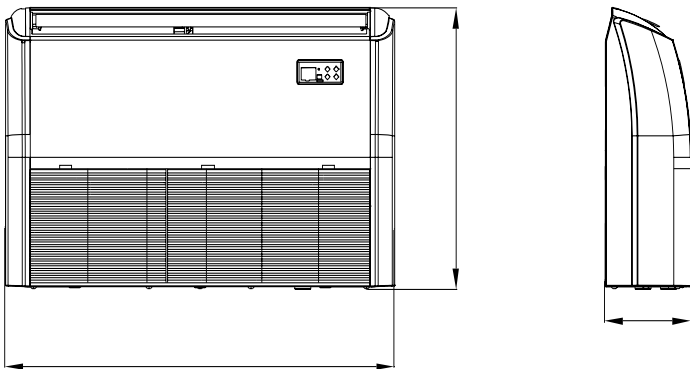


DIMENSIONS & WEIGHT INDOOR

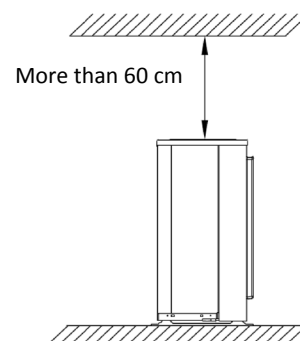
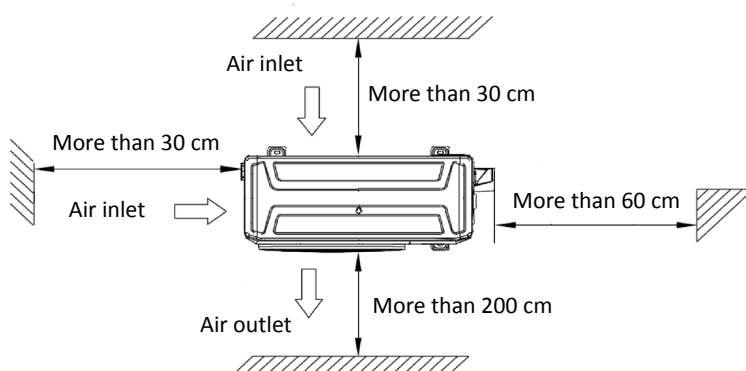
Model	KPC-71 DR13 / KPC-71 DR13-X
Width	1.068 mm
Height	235 mm
Depth	675 mm
Weight	28 kg

DIMENSIONS & WEIGHT OUTDOOR

Model	KUE-71 DVR13
Width	890 mm
Height	673 mm
Depth	342 mm
Weight	43,90 kg



INSTALLATION

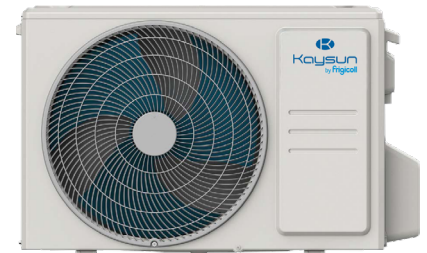


Floor / Ceiling

PRODUCT SHEET



KID-05 S
Recommended controller



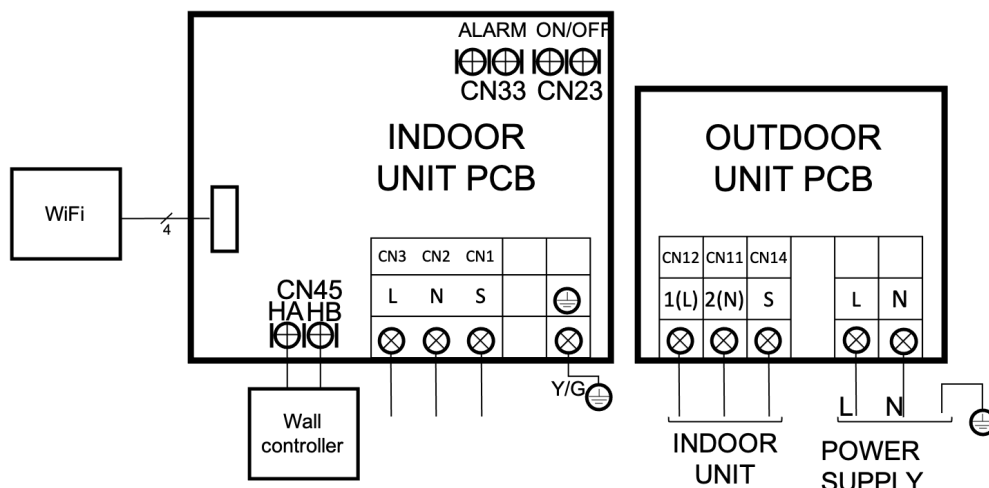
Product certified by:



FEATURES

Model	KPCA-105 DVR13 / KPCA-105 DVR13-X
Cooling capacity	10,55 kW
Cooling power input	4.000 W
Heating capacity	11,72 kW
Heating power input	3.350 W
ErP Classification cold/heat	A+++ / A+
Airflow (indoor)	1.504/1.728/1.955 m ³ /h
Sound pressure (indoor)	45/47,50/51 dB(A)
Airflow (outdoor)	3.800 m ³ /h
Sound pressure (outdoor)	62 dB(A)
Power supply	220-240 V / 1 / 50 Hz
Max. input	22,50 A
Power wiring (indoor)	With communication
Power wiring (outdoor)	(2+T)x4 mm ²
Communication wiring	(3+T)x1 mm ²

WIRING DIAGRAM

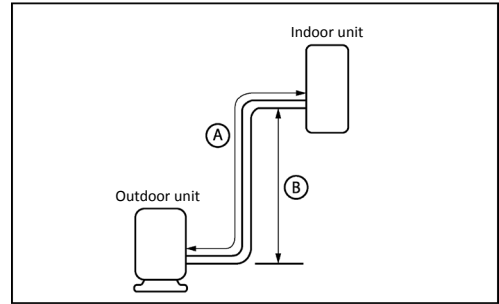


NOTES:

- (1) The data and specifications present in this sheet may vary without notice.
 (2) The images on this sheet are indicative and may be different from the final machine.

COOLING CONNECTION

Model	KPCA-105 DVR13 / KPCA-105 DVR13-X	
Refrigerating pipes	Ø3/8" / Ø5/8"	
Refrigerant charge / Additional charge	2 kg / 0,024 kg	
Indoor drain pipe	Ø25	
Max. pipe length (A)	50 m	
Max. level difference (B)	25 m	

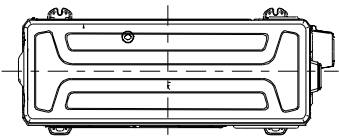
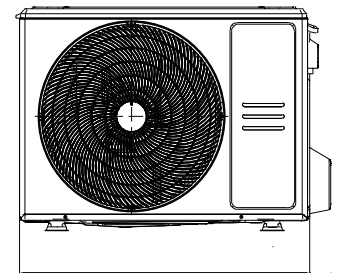
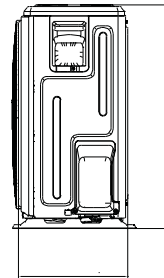
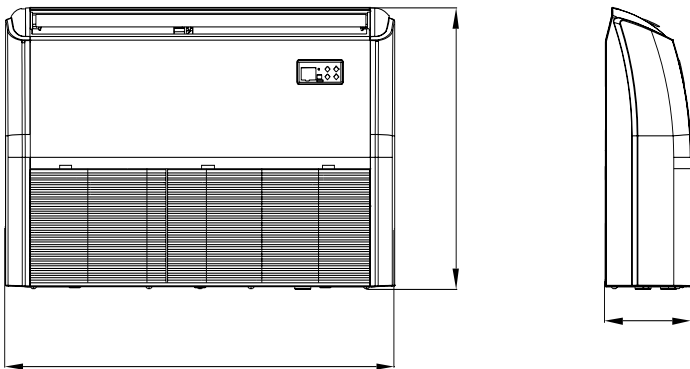


DIMENSIONS & WEIGHT INDOOR

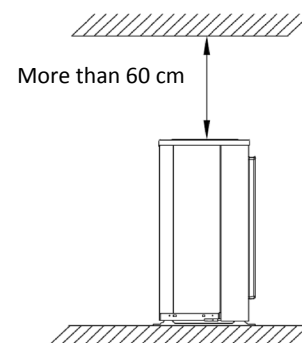
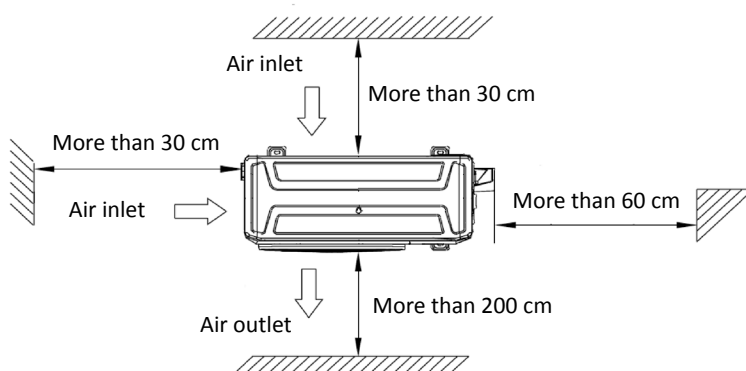
Model	KPC-105 DR13 / KPC-105 DR13-X
Width	1.650 mm
Height	235 mm
Depth	675 mm
Weight	41,50 kg

DIMENSIONS & WEIGHT OUTDOOR

Model	KUE-105 DVR13
Width	946 mm
Height	810 mm
Depth	410 mm
Weight	52,80 kg



INSTALLATION

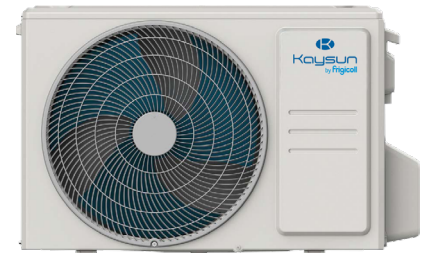


Floor / Ceiling

PRODUCT SHEET



KID-05 S
Recommended controller



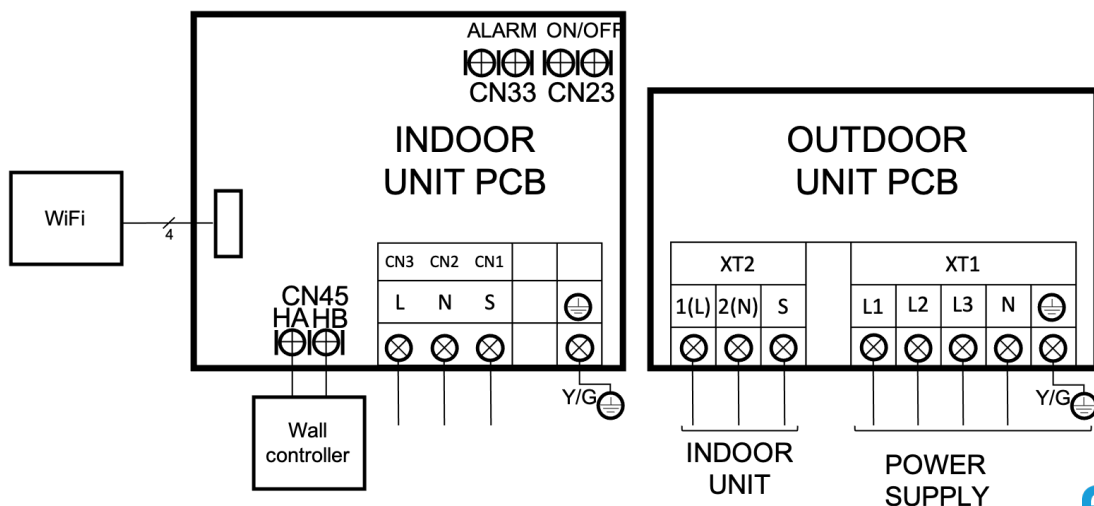
Product certified by:



FEATURES

Model	KPCA-105 DTR13 / KPCA-105 DTR13-X
Cooling capacity	10,55 kW
Cooling power input	3.900 W
Heating capacity	11,72 kW
Heating power input	3.350 W
ErP Classification cold/heat	A+++ / A+
Airflow (indoor)	1.504/1.728/1.955 m ³ /h
Sound pressure (indoor)	45/48/51,50 dB(A)
Airflow (outdoor)	4.000 m ³ /h
Sound pressure (outdoor)	63 dB(A)
Power supply	380-415 V / 3 / 50 Hz
Max. input	10 A
Power wiring (indoor)	With communication
Power wiring (outdoor)	(4+T)x2,50 mm ²
Communication wiring	(3+T)x1 mm ²

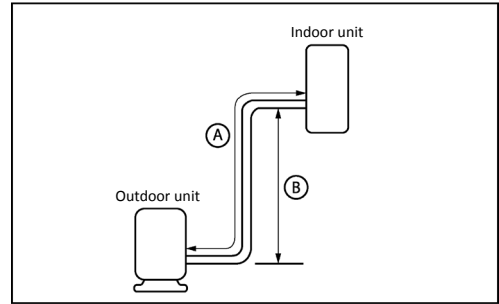
WIRING DIAGRAM



NOTES:
 (1) The data and specifications present in this sheet may vary without notice.
 (2) The images on this sheet are indicative and may be different from the final machine.

COOLING CONNECTION

Model	KPCA-105 DTR13 / KPCA-105 DTR13-X	
Refrigerating pipes	Ø3/8" / Ø5/8"	
Refrigerant charge / Additional charge	2,40 kg / 0,024 kg	
Indoor drain pipe	Ø25	
Max. pipe length (A)	75 m	
Max. level difference (B)	30 m	

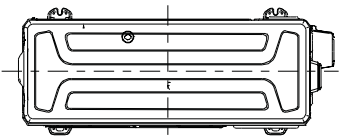
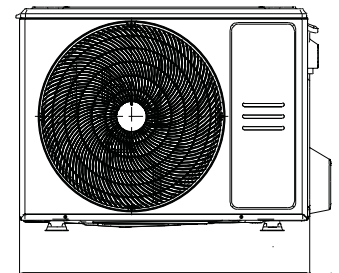
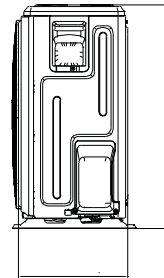
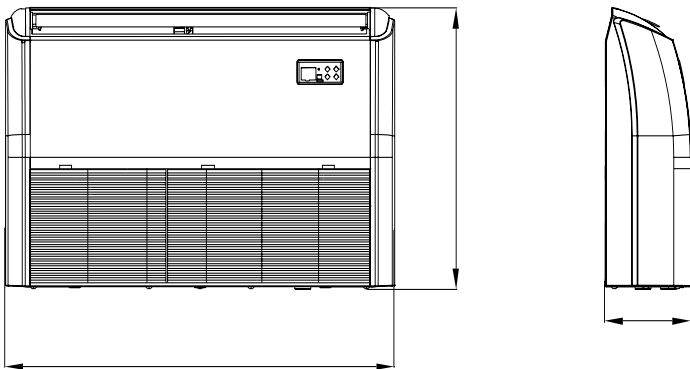


DIMENSIONS & WEIGHT INDOOR

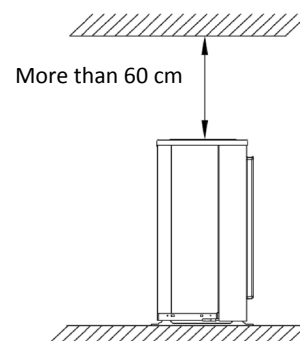
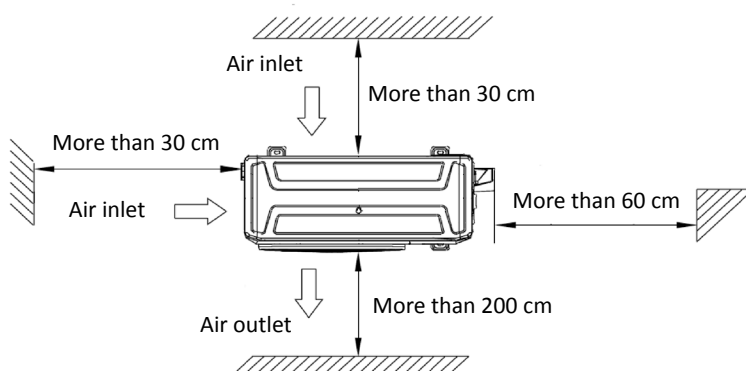
Model	KPC-105 DR13 / KPC-105 DR13-X
Width	1.650 mm
Height	235 mm
Depth	675 mm
Weight	41,50 kg

DIMENSIONS & WEIGHT OUTDOOR

Model	KUE-105 DTR13
Width	946 mm
Height	810 mm
Depth	410 mm
Weight	66,90 kg



INSTALLATION



Floor / Ceiling

PRODUCT SHEET



KID-05 S
Recommended controller



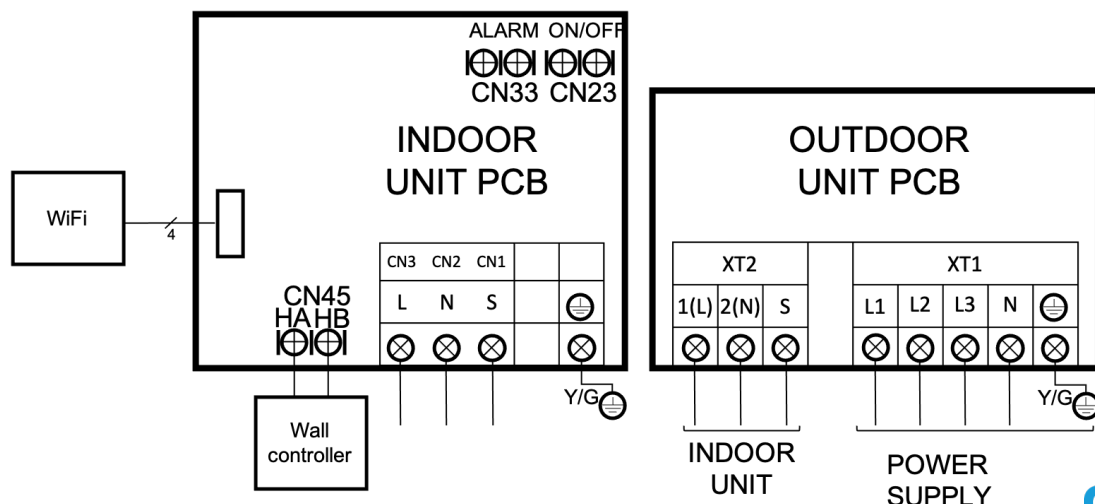
Product certified by:



FEATURES

Model	KPCA-140 DTR13 / KPCA-140 DTR13-X
Cooling capacity	14,07 kW
Cooling power input	5.000 W
Heating capacity	16,12 kW
Heating power input	5.100 W
ErP Classification cold/heat	A+++ / A+
Airflow (indoor)	1.600/1.850/2.100 m ³ /h
Sound pressure (indoor)	46/50/53 dB(A)
Airflow (outdoor)	4.000 m ³ /h
Sound pressure (outdoor)	63 dB(A)
Power supply	380-415 V / 3 / 50 Hz
Max. input	13 A
Power wiring (indoor)	With communication
Power wiring (outdoor)	(4+T)x2,50 mm ²
Communication wiring	(3+T)x1 mm ²

WIRING DIAGRAM



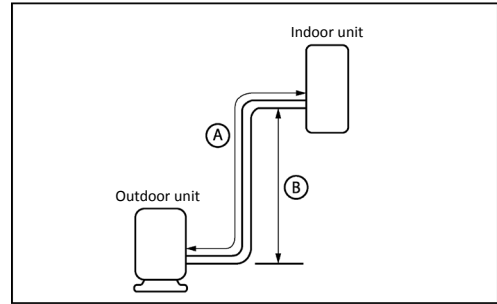
NOTES:

(1) The data and specifications present in this sheet may vary without notice.

(2) The images on this sheet are indicative and may be different from the final machine.

COOLING CONNECTION

Model	KPCA-140 DTR13 / KPCA-140 DTR13-X	
Refrigerating pipes	Ø3/8" / Ø5/8"	
Refrigerant charge / Additional charge	2,40 kg / 0,024 kg	
Indoor drain pipe	Ø25	
Max. pipe length (A)	75 m	
Max. level difference (B)	30 m	

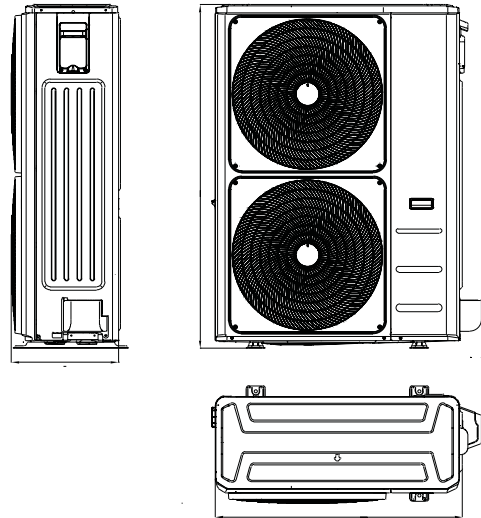
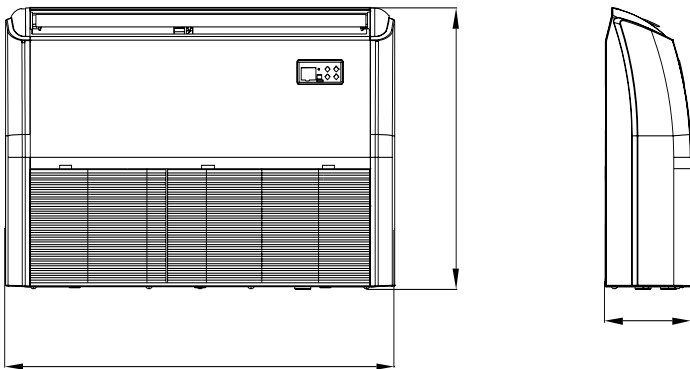


DIMENSIONS & WEIGHT INDOOR

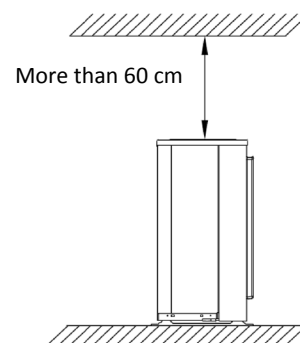
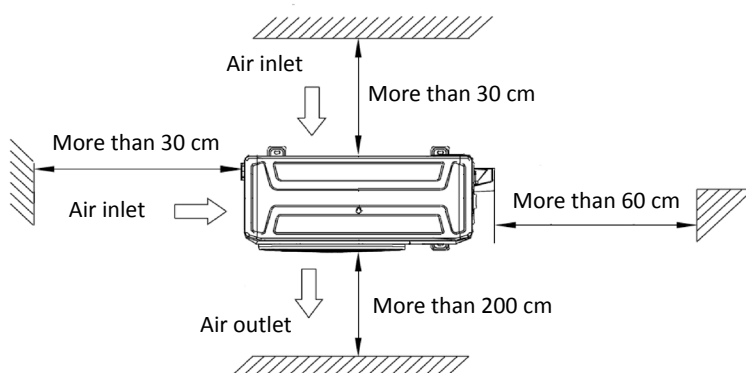
Model	KPC-140 DR13 / KPC-140 DR13-X
Width	1.650 mm
Height	235 mm
Depth	675 mm
Weight	41,70 kg

DIMENSIONS & WEIGHT OUTDOOR

Model	KUE-140 DTR13
Width	952 mm
Height	1333 mm
Depth	415 mm
Weight	103,7 kg



INSTALLATION



Floor / Ceiling

PRODUCT SHEET



KID-05 S
Recommended controller



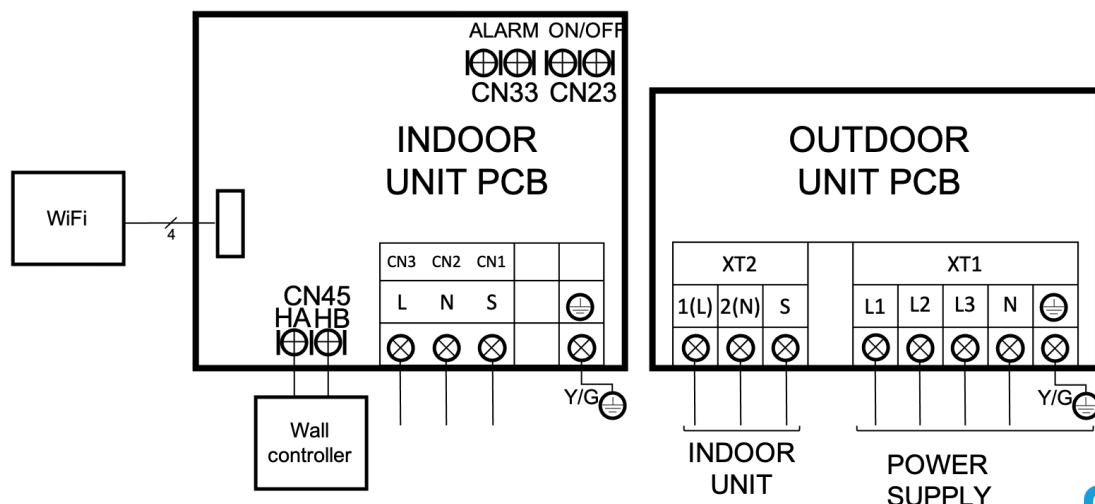
Product certified by:



FEATURES

Model	KPCA-160 DTR13 / KPCA-160 DTR13-X
Cooling capacity	15,83 kW
Cooling power input	5.650 W
Heating capacity	18,18 kW
Heating power input	6.050 W
ErP Classification cold/heat	A+++ / A+
Airflow (indoor)	1.650/1.950/2.200 m ³ /h
Sound pressure (indoor)	48/52/55 dB(A)
Airflow (outdoor)	4.000 m ³ /h
Sound pressure (outdoor)	63 dB(A)
Power supply	380-415 V / 3 / 50 Hz
Max. input	14 A
Power wiring (indoor)	With communication
Power wiring (outdoor)	(4+T)x4 mm ²
Communication wiring	(3+T)x1 mm ²

WIRING DIAGRAM



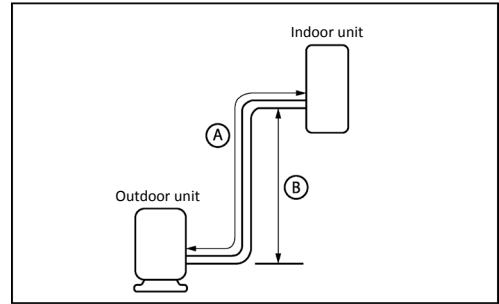
NOTES:

(1) The data and specifications present in this sheet may vary without notice.

(2) The images on this sheet are indicative and may be different from the final machine.

COOLING CONNECTION

Model	KPCA-160 DTR13 / KPCA-160 DTR13-X	
Refrigerating pipes	Ø3/8" / Ø5/8"	
Refrigerant charge / Additional charge	2,80 kg / 0,024 kg	
Indoor drain pipe	Ø25	
Max. pipe length (A)	75 m	
Max. level difference (B)	30 m	

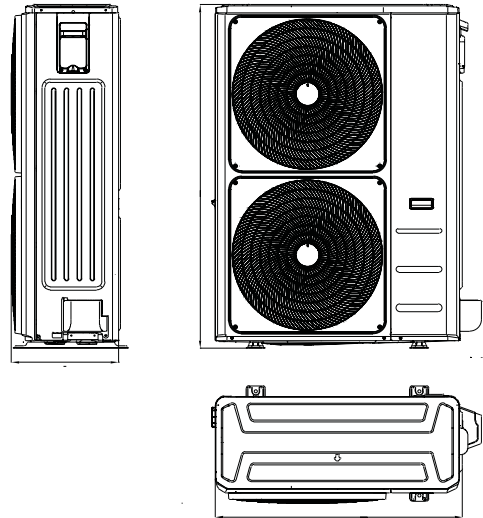
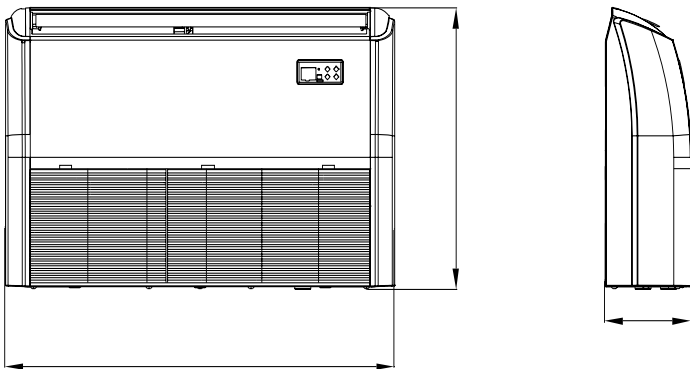


DIMENSIONS & WEIGHT INDOOR

Model	KPC-160 DR13 / KPC-160 DR13-X
Width	1.650 mm
Height	235 mm
Depth	675 mm
Weight	42,30 kg

DIMENSIONS & WEIGHT OUTDOOR

Model	KUE-160 DTR13
Width	952 mm
Height	1333 mm
Depth	415 mm
Weight	107 kg



INSTALLATION

