

Halton FDV – Fire valve (E 120 S)

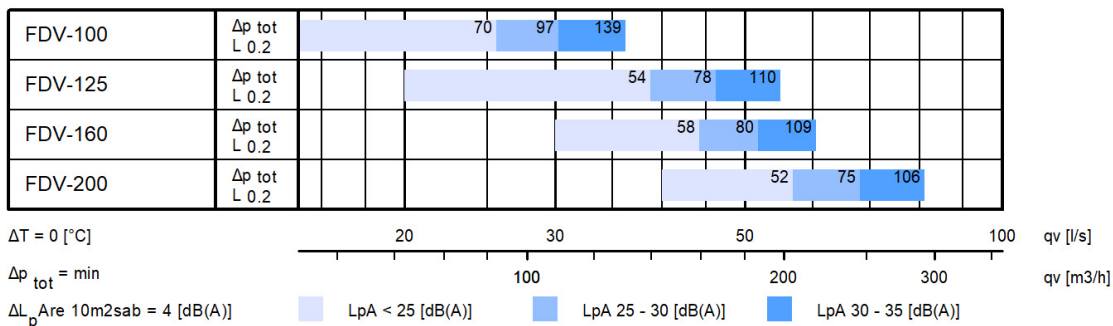


© Halton

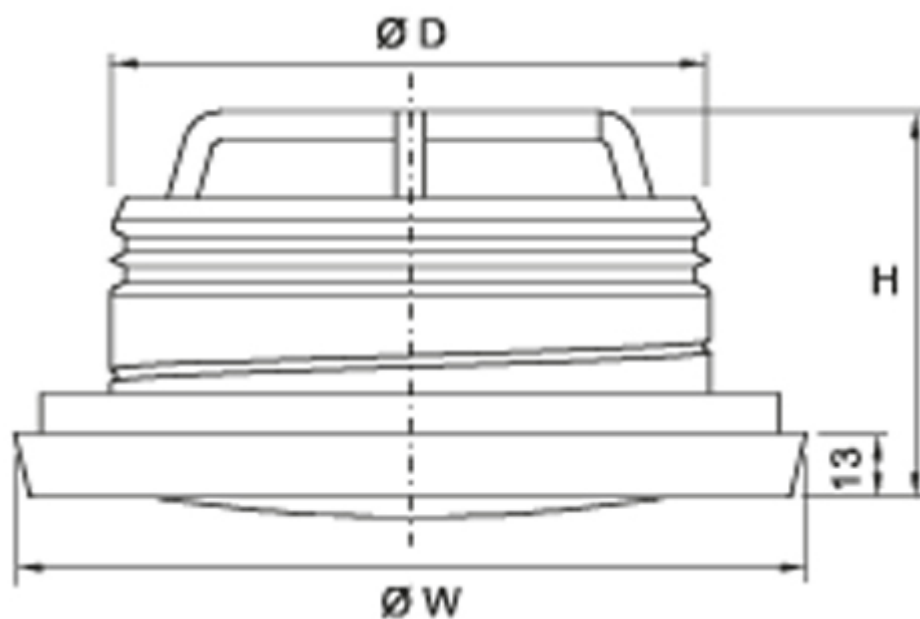
Overview

- Possible to install in concrete, masonry or lightweight wall with fire resistance of **E 120** ($v_e - h_o$) **S** or **EI 15** (v_e) **S** in concrete slab **EI 30** (h_o) **S**
- Suitable for vertical and horizontal installation V_e, H_o
- Fuse 72 °C inside cone
- The integral installation frame is equipped with a sealing gasket and fire seal at its flange.
- Manufactured in accordance with ISO 9001 quality system.

Quick selection



Dimensions and weight



NS	$\varnothing W$	H	$\varnothing D$
100	139	88	99
125	165	88	124
160	200	88	159
200	251	86	199

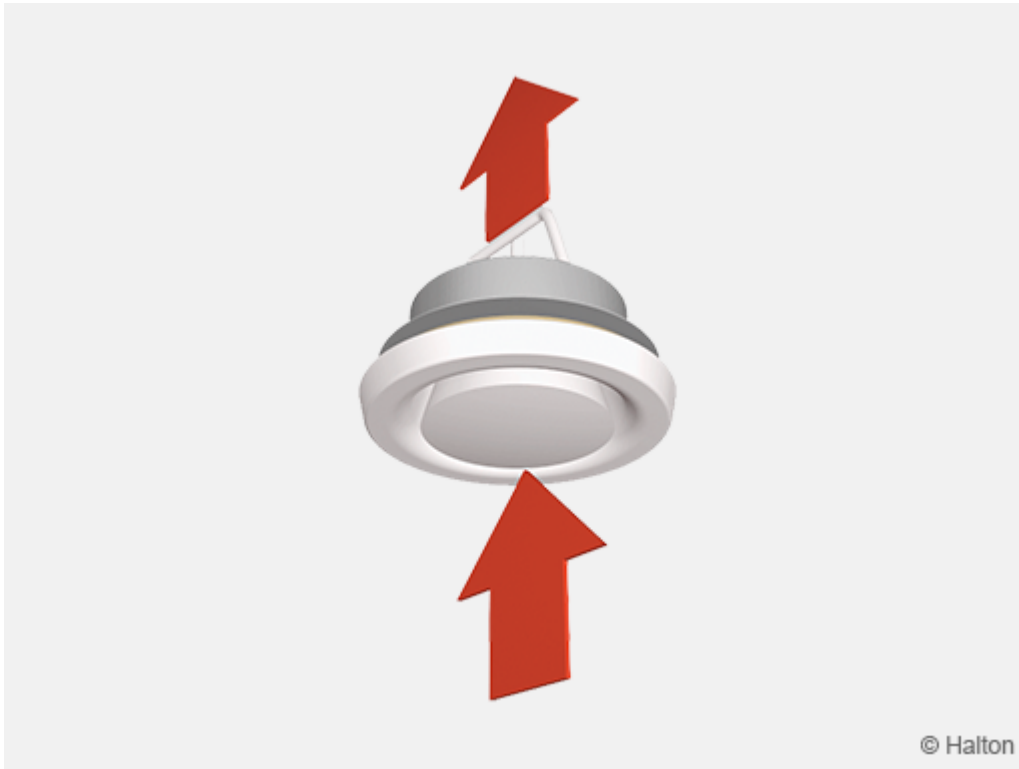
Weight

NS	kg
100	0.40
125	0.53
160	0.72
200	1.03

Material

Part	Material	Note
Collar	Steel	Epoxy painted
Central cone	Steel	Epoxy painted
Frame gasket	Polyurethane	–
Fireproof gasket	Silicate	–
Installation frame	Galvanised steel	–
Melting fuse	Brass	–

Function



The Halton FDV is a circular fire valve. It prevents fire and smoke from spreading in ventilation ducts.

Operation as an exhaust valve normal mode

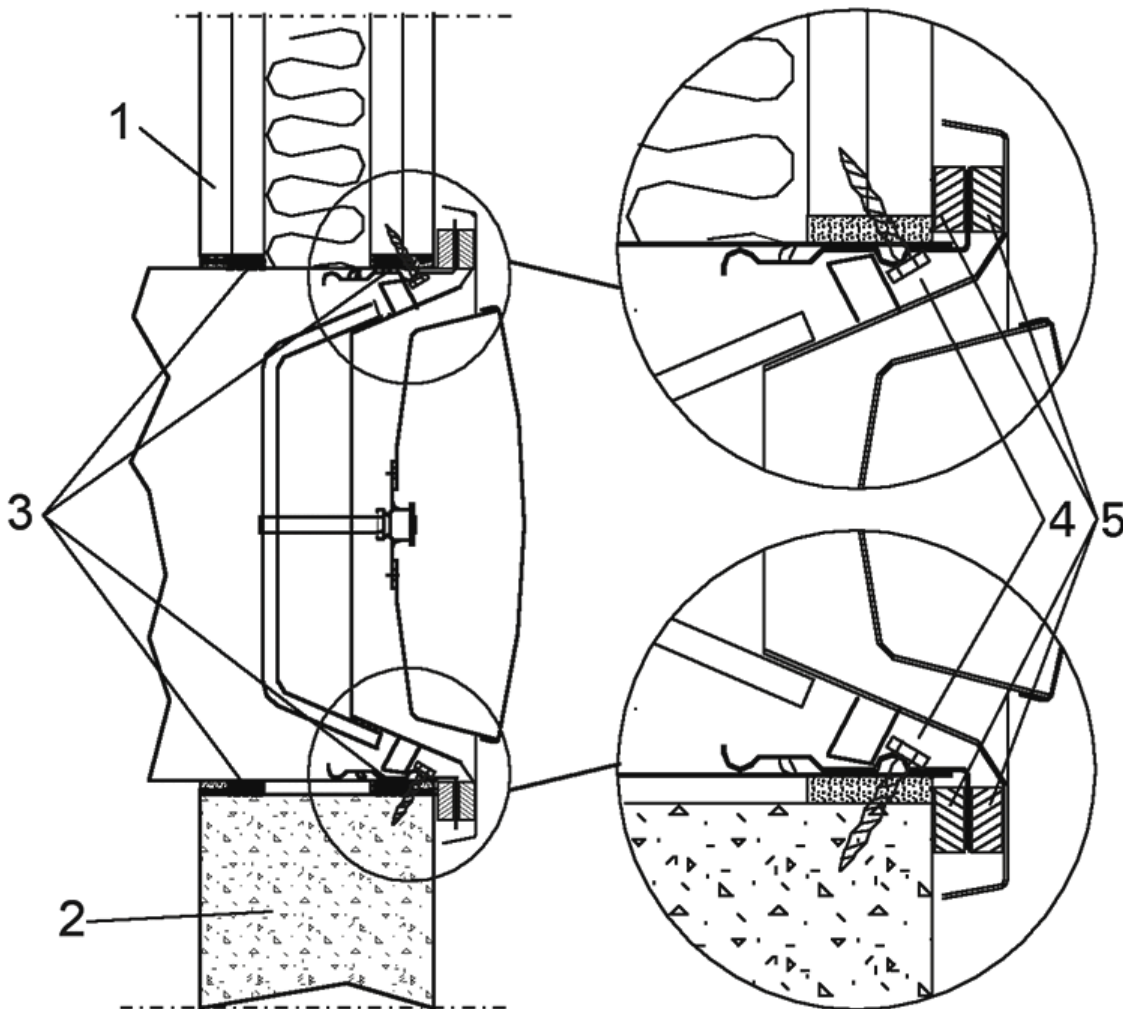
The valve throttles the exhaust airflow and attenuates the duct noise. The pressure drop is dependent on the position of the central cone. The desired exhaust rate is set during the balancing of the air flows in a ductwork system.

Operation as a fire damper emergency mode

The fire damper contains an integral thermal fuse. This fuse responds to a rise in temperature, which causes a spring-return central cone to close.

The thermal fuse is released at 72°C.

Installation



Key

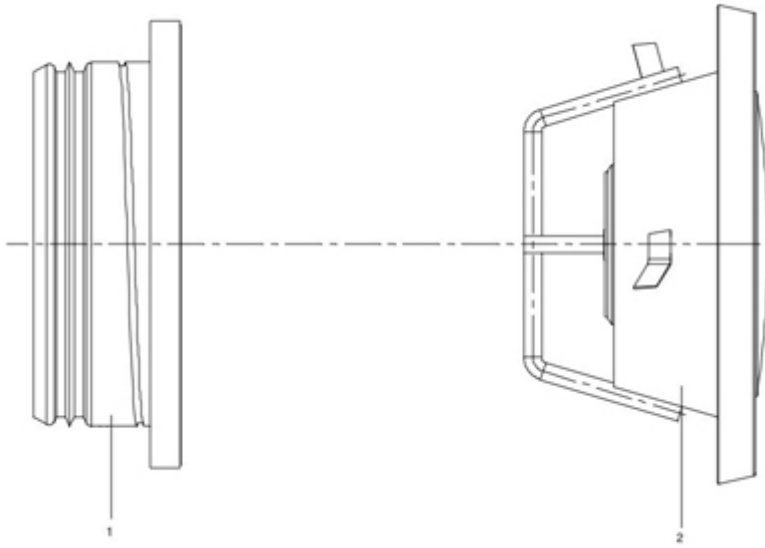
1. Lightweight wall
2. Concrete or masonry wall or ceiling
3. Fire-stop mass (Würth Firebreak 22)
4. Screws
5. Fireproof silicate gaskets

The Halton FDV fire valve is approved for installation on concrete or masonry walls and ceilings and on lightweight walls.

Make an opening in the separating element for the air duct to be led through the structure. The size of the installation opening is $D + 20 \text{ mm}$.

Install the duct in the opening. Create the fire seal between duct and wall with a fire-stop mass (Würth Firebreak 22) and rockwool as indicated in the picture. Cut the duct flush with the wall surface.

Push the installation frame into the duct so that the flange is firmly pressed against the wall surface. Attach the installation to the duct and wall with two screws.



Push the valve (2) into the installation frame (1), and turn until it is firmly attached.

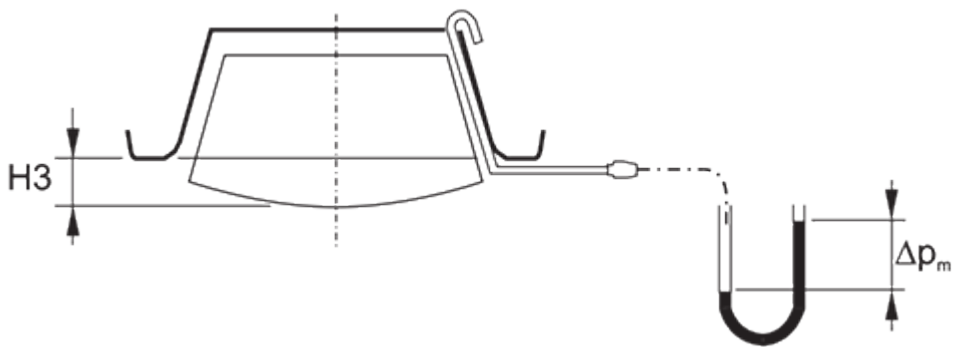
Detailed installation instructions, as well as an installer's installation certificate form, are supplied with each product. For further information see also tab Documents / Installation Instructions .

Adjustment

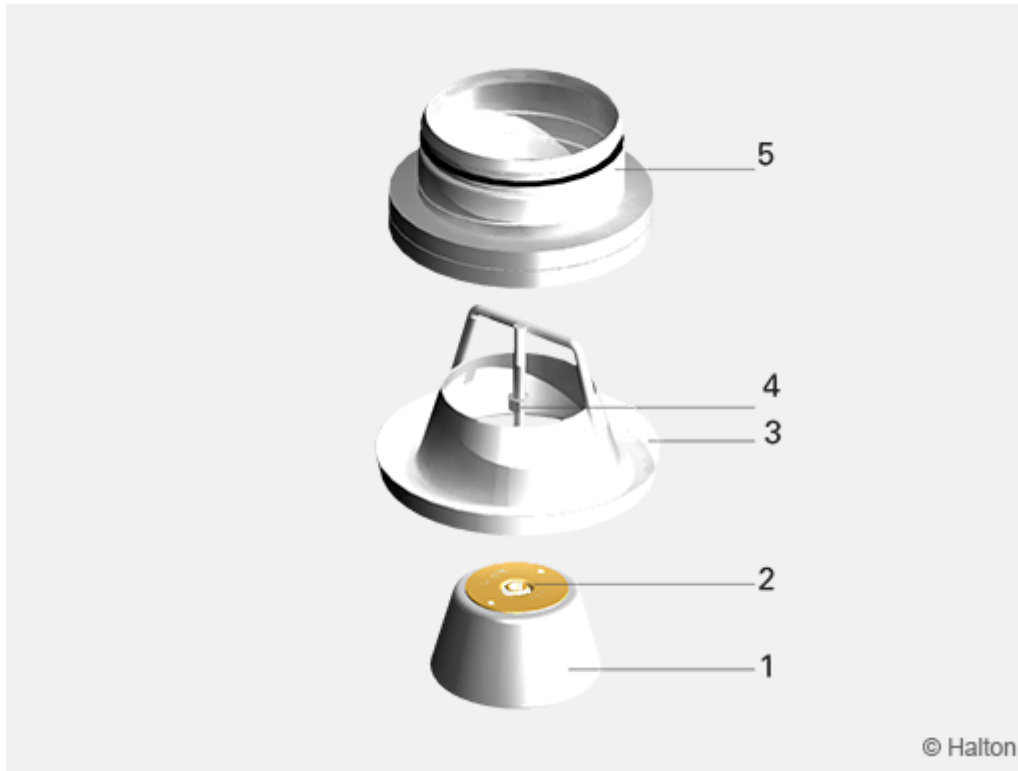
The Halton FDV valve is adjusted by rotating the central cone. Measure the opening (A) position (in mm) of the central cone. Set a probe inside the valve, and measure the differential pressure with a manometer. The air flow rate is calculated by using the formula below. After the adjustment, lock the central cone with the locking nut.

$$q_v = k * \sqrt{\Delta p_m}$$

FDV 100		FDV 125		FDV 160		FDV 200	
A	k	A	k	A	k	A	k
-15	0,43	-15	0,65	-12	1,16	3	1,78
-12	0,63	-12	0,92	-9	1,51	6	2,46
-9	0,83	-9	1,22	-6	1,9	9	3,24
-6	1,02	-6	1,53	-3	2,31	12	3,97
-3	1,22	-3	1,84	0	2,75	15	4,69
0	1,42	0	2,17	3	3,25	20	5,88
3	1,65	3	2,52	6	3,73	25	6,95
6	1,88	6	2,83	9	4,22		
9	2,11	9	3,14	12	4,67		
12	2,33	12	3,46	15	5,12		
		15	3,77	18	5,58		



Servicing



Key

1. Central cone
2. Fuse
3. Collar
4. Locking nut
5. Frame

Loosen the Halton FDV valve from the ductwork by turning anti-clockwise. Note the adjusted opening position of the central cone.

Wipe the parts with a damp cloth, instead of immersing in water. After cleaning, reattach the valve by pushing it into the installation frame and turning it until it is firmly attached.

Note: Do not use hot water or high temperatures during cleaning, as this could cause unnecessary release of the fuse.

Specification

The technical properties of the type-approved fire valve conforms to the EN 1366-2 and EN 135013 standards.

The valve has fire resistance class **E 120** ($v_e - h_o$) **S**, **EI 15** (v_e) **S** for lightweight concrete or masonry walls.

The valve has fire resistance class **E 120** ($v_e - h_o$) **S**, **EI 30** (h_o) **S** for installation on concrete slabs.

The fire valve is equipped with a thermal fuse and release spring and with fire sealing. The integral installation frame is equipped with a sealing gasket and fire seal at its flange. It is possible to install the valve from the room side.

The fire valve has an adjustable central cone and collar made of epoxy-painted steel, with white (RAL 9010) as the standard colour.

The opening position of the central cone is adjusted during balancing in order to achieve the required pressure loss and airflow rate. After balancing, the central cone is locked into the selected adjustment position.

The internal quality control system of the fire damper manufacturer is based on the ISO 9001 system, and the manufacturer's operations is subject to external third-party quality control VTT.

Order code

FDV-D; CO-FU-ZT

D = Duct connection size (mm)

100, 125, 160, 200

Other options and accessories

CO = Colour

SW Signal white (RAL 9003)

X Special colour (RAL xxxx)

FU = Fuse release temperature (°C)

72

ZT = Tailored product

N No

Y Yes (ETO)

Code example

FDV-100, CO=SW, FU=72, ZT=N