

Amazon IV HR Series

K3F-252 DN4S

PRODUCT SHEET



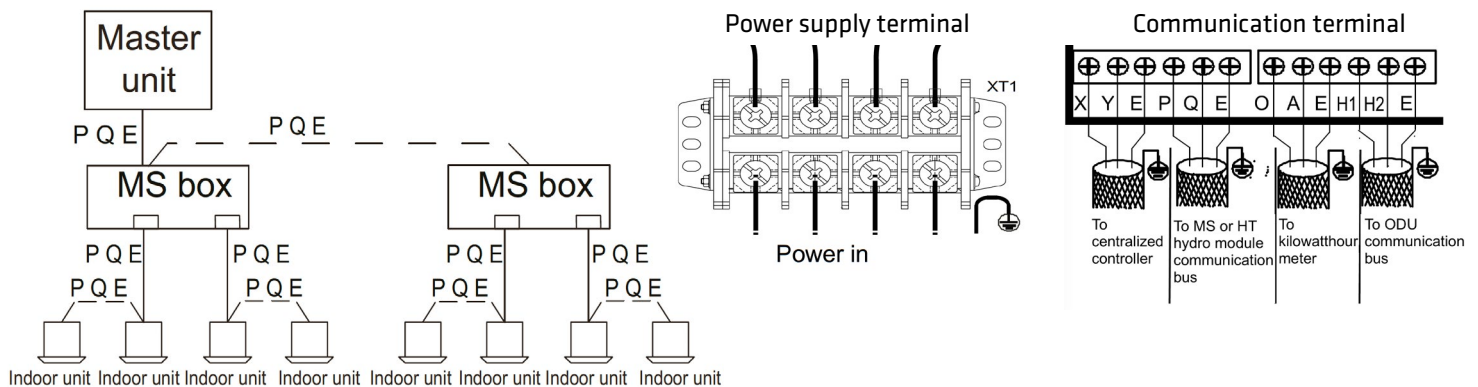
Product certified by:



FEATURES

Model	K3F-252 DN4S
Max. indoor units	64
Cooling capacity	22,40 kW
Cooling power input	6.540 W
Heating capacity	25 kW
Heating power input	6.300 W
SEER / SCOP	7,26 / 4,29
Airflow	9.000 m ³ /h
Max. static pressure	80 Pa
Sound pressure	58 dB(A)
Sound power	78 dB(A)
Working range (cooling/heating)	-15 - 52 °C / -25 - 19 °C
Pipe diam. liquid - high pressure gas - low pressure gas	Ø1/2" - Ø3/4" - Ø1"
Refrigerant charge	8 kg
Power supply	380-415 V / 3 / 50 Hz
Max. input	20 A
Power wiring	(4+T)x4 mm ²
Shielded communication wiring	3x0,75 mm ²

WIRING DIAGRAM



NOTES:

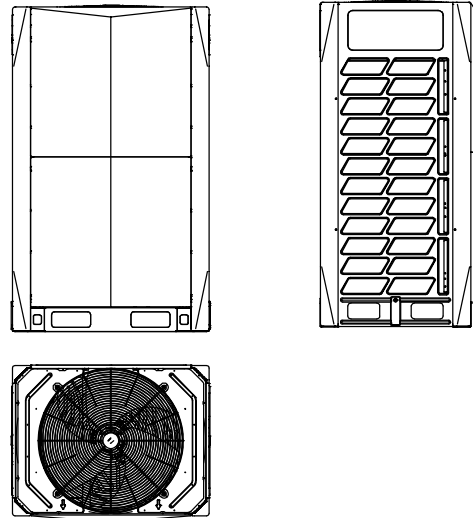
- (1) The data and specifications in this sheet are subject to change without notice.
- (2) The images in this sheet are for guidance only and may be different from the actual machine.
- (3) Cooling capacity conditions: Indoor temperature 27°C DB/19°C WB; Outdoor temperature 35°C DB; Equivalent refrigerant piping length 7.5 m with zero level difference; Data calculated with Duct type indoor unit. Heating capacity conditions: Indoor temperature 20°C DB; Outdoor temperature 7°C DB/6°C WB; Equivalent refrigerant piping length 7.5 m with zero level difference; Data calculated with Duct type indoor unit.
- (4) Diameters given are those for the pipe connecting the outdoor unit combination to the first indoor branch joint for systems with total equivalent liquid piping lengths of less than 90 m. For systems with total equivalent liquid piping lengths of 90 m or longer, please refer to the Engineering Data Book for connection piping diameters.
- (5) Sound pressure level is measured at a position 1 m in front of the unit and 1.3 m above the floor in a semi-anechoic chamber.

PIPELINE LENGTH

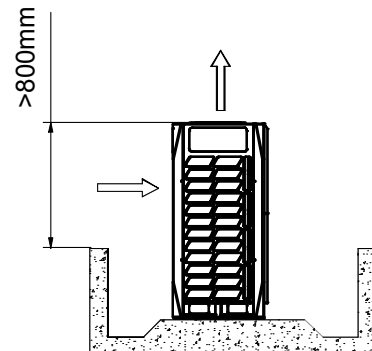
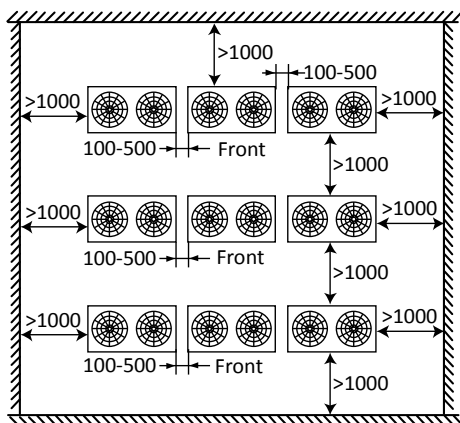
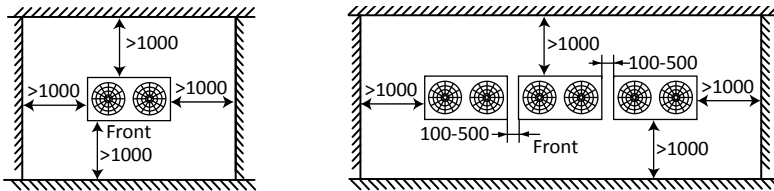
		VRF indoor units only	VRF indoor units and Hydrobox	VRF indoor units and AHUs
Max. pipe length		1.000 m	600 m	1.000 m
Max. distance between outdoor unit and further indoor unit	Real	175 m	135 m	175 m
	Equivalent	200 m	160 m	200 m
From first branch joint to the further indoor unit		90 m	40 m	40 m
From outdoor unit to outdoor branch joint		10 m	10 m	10 m
Height difference	Outdoor unit over	110 m	50 m	50 m
	Outdoor unit below	110 m	40 m	40 m
Height difference between indoor units		30 m	30 m	30 m

DIMENSIONS & WEIGHT

Width	990 mm
Height	1.635 mm
Depth	790 mm
Weight	232 kg



INSTALLATION



Amazon IV HR Series

K3F-280 DN4S

PRODUCT SHEET



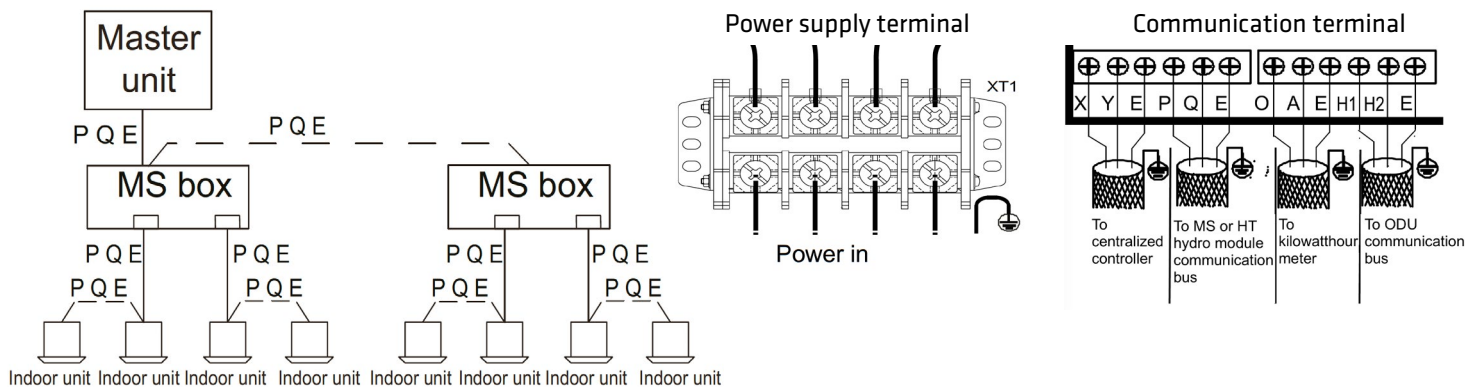
Product certified by:



FEATURES

Model	K3F-280 DN4S
Max. indoor units	64
Cooling capacity	28 kW
Cooling power input	9.780 W
Heating capacity	31,50 kW
Heating power input	9.000 W
SEER / SCOP	6,60 / 4,39
Airflow	9.500 m ³ /h
Max. static pressure	80 Pa
Sound pressure	61 dB(A)
Sound power	82 dB(A)
Working range (cooling/heating)	-15 - 52 °C / -25 - 19 °C
Pipe diam. liquid - high pressure gas - low pressure gas	Ø1/2" - Ø3/4" - Ø1"
Refrigerant charge	8 kg
Power supply	380-415 V / 3 / 50 Hz
Max. input	25 A
Power wiring	(4+T)x6 mm ²
Shielded communication wiring	3x0,75 mm ²

WIRING DIAGRAM



NOTES:

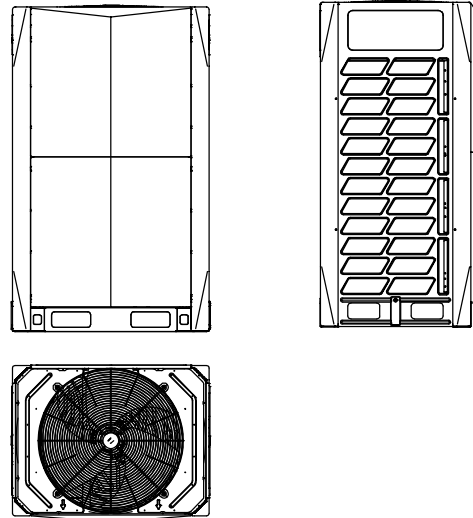
- (1) The data and specifications in this sheet are subject to change without notice.
- (2) The images in this sheet are for guidance only and may be different from the actual machine.
- (3) Cooling capacity conditions: Indoor temperature 27°C DB/19°C WB; Outdoor temperature 35°C DB; Equivalent refrigerant piping length 7.5 m with zero level difference; Data calculated with Duct type indoor unit. Heating capacity conditions: Indoor temperature 20°C DB; Outdoor temperature 7°C DB/6°C WB; Equivalent refrigerant piping length 7.5 m with zero level difference; Data calculated with Duct type indoor unit.
- (4) Diameters given are those for the pipe connecting the outdoor unit combination to the first indoor branch joint for systems with total equivalent liquid piping lengths of less than 90 m. For systems with total equivalent liquid piping lengths of 90 m or longer, please refer to the Engineering Data Book for connection piping diameters.
- (5) Sound pressure level is measured at a position 1 m in front of the unit and 1.3 m above the floor in a semi-anechoic chamber.

PIPELINE LENGTH

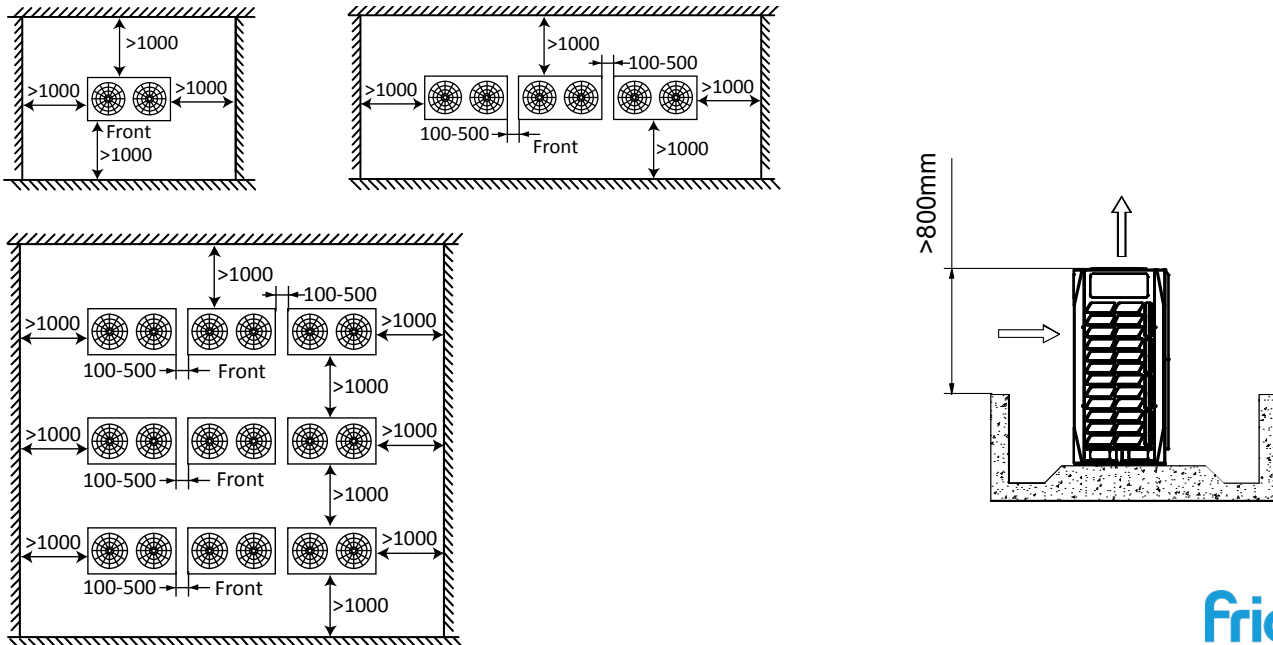
		VRF indoor units only	VRF indoor units and Hydrobox	VRF indoor units and AHUs
Max. pipe length		1.000 m	600 m	1.000 m
Max. distance between outdoor unit and further indoor unit	Real	175 m	135 m	175 m
	Equivalent	200 m	160 m	200 m
From first branch joint to the further indoor unit		90 m	40 m	40 m
From outdoor unit to outdoor branch joint		10 m	10 m	10 m
Height difference	Outdoor unit over	110 m	50 m	50 m
	Outdoor unit below	110 m	40 m	40 m
Height difference between indoor units		30 m	30 m	30 m

DIMENSIONS & WEIGHT

Width	990 mm
Height	1.635 mm
Depth	790 mm
Weight	232 kg



INSTALLATION



Amazon IV HR Series

K3F-335 DN4S

PRODUCT SHEET



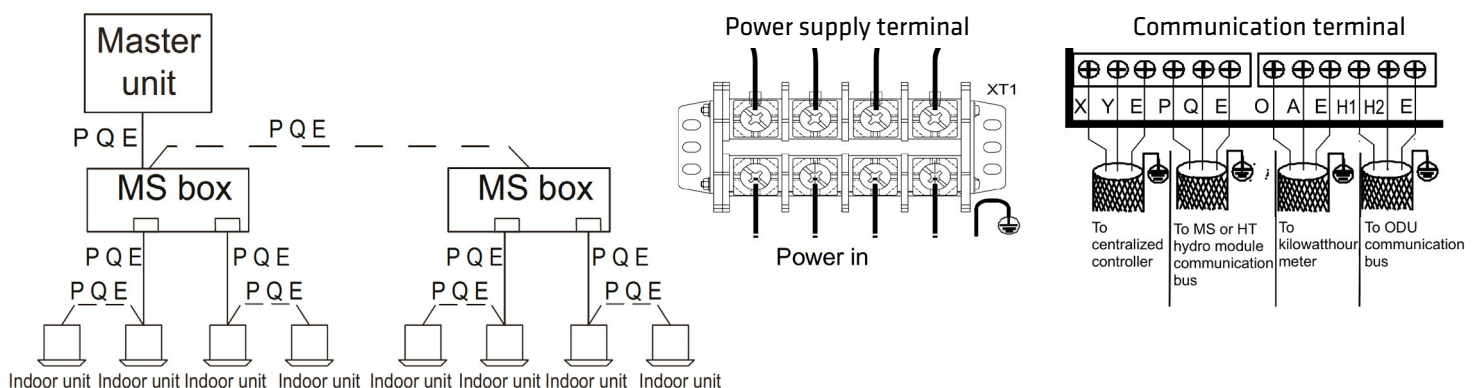
Product certified by:



FEATURES

Model	K3F-335 DN4S
Max. indoor units	64
Cooling capacity	33,50 kW
Cooling power input	11.880 W
Heating capacity	37,50 kW
Heating power input	11.830 W
SEER / SCOP	6,80 / 4,60
Airflow	10.000 m ³ /h
Max. static pressure	80 Pa
Sound pressure	62 dB(A)
Sound power	83 dB(A)
Working range (cooling/heating)	-15 - 52 °C / -25 - 19 °C
Pipe diam. liquid - high pressure gas - low pressure gas	Ø1/2" - Ø3/4" - Ø1"
Refrigerant charge	8 kg
Power supply	380-415 V / 3 / 50 Hz
Max. input	25 A
Power wiring	(4+T)x6 mm ²
Shielded communication wiring	3x0,75 mm ²

WIRING DIAGRAM



NOTES:

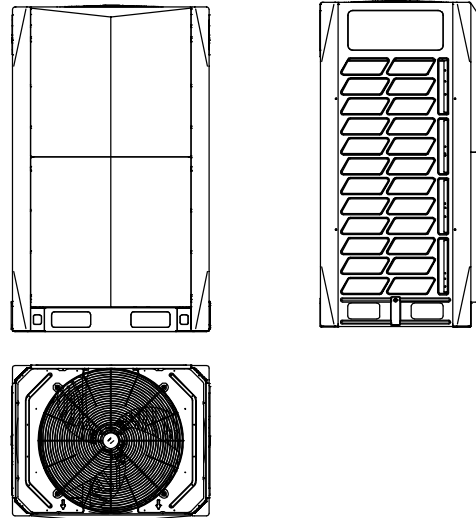
- (1) The data and specifications in this sheet are subject to change without notice.
- (2) The images in this sheet are for guidance only and may be different from the actual machine.
- (3) Cooling capacity conditions: Indoor temperature 27°C DB/19°C WB; Outdoor temperature 35°C DB; Equivalent refrigerant piping length 7.5 m with zero level difference; Data calculated with Duct type indoor unit. Heating capacity conditions: Indoor temperature 20°C DB; Outdoor temperature 7°C DB/6°C WB; Equivalent refrigerant piping length 7.5 m with zero level difference; Data calculated with Duct type indoor unit.
- (4) Diameters given are those for the pipe connecting the outdoor unit combination to the first indoor branch joint for systems with total equivalent liquid piping lengths of less than 90 m. For systems with total equivalent liquid piping lengths of 90 m or longer, please refer to the Engineering Data Book for connection piping diameters.
- (5) Sound pressure level is measured at a position 1 m in front of the unit and 1.3 m above the floor in a semi-anechoic chamber.

PIPELINE LENGTH

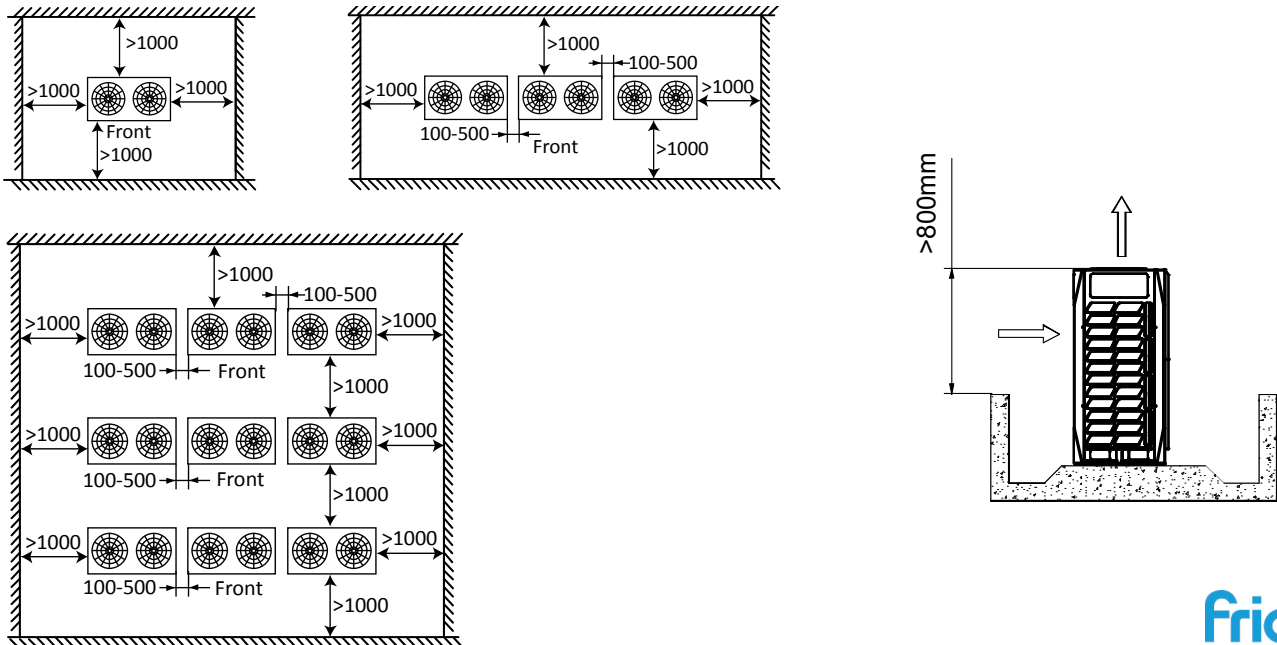
		VRF indoor units only	VRF indoor units and Hydrobox	VRF indoor units and AHUs
Max. pipe length		1.000 m	600 m	1.000 m
Max. distance between outdoor unit and further indoor unit	Real	175 m	135 m	175 m
	Equivalent	200 m	160 m	200 m
From first branch joint to the further indoor unit		90 m	40 m	40 m
From outdoor unit to outdoor branch joint		10 m	10 m	10 m
Height difference	Outdoor unit over	110 m	50 m	50 m
	Outdoor unit below	110 m	40 m	40 m
Height difference between indoor units		30 m	30 m	30 m

DIMENSIONS & WEIGHT

Width	990 mm
Height	1.635 mm
Depth	790 mm
Weight	232 kg



INSTALLATION



Amazon IV HR Series

K3F-400 DN4S

PRODUCT SHEET



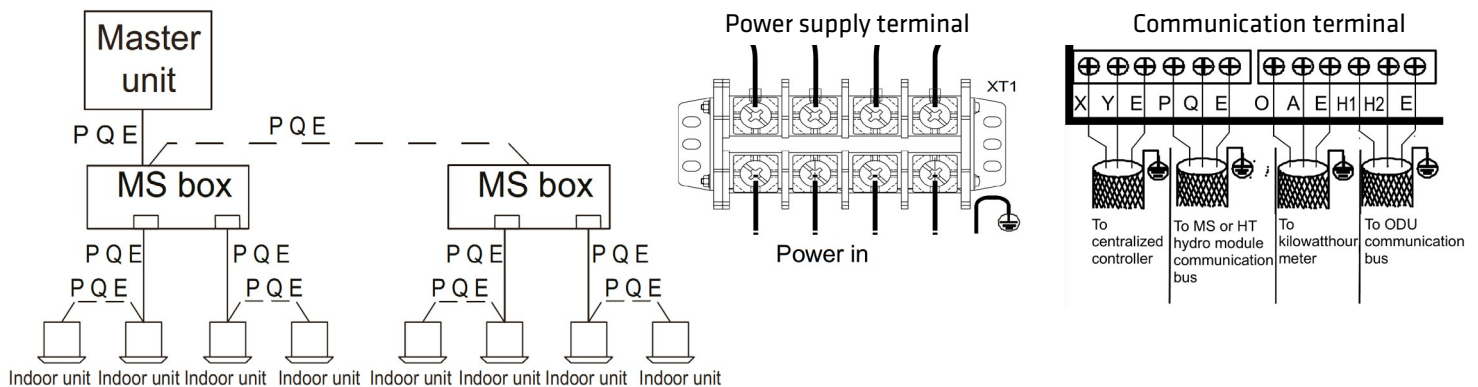
Product certified by:



FEATURES

Model	K3F-400 DN4S
Max. indoor units	64
Cooling capacity	40 kW
Cooling power input	13.210 W
Heating capacity	45 kW
Heating power input	12.860 W
SEER / SCOP	6,70 / 4,27
Airflow	14.000 m ³ /h
Max. static pressure	80 Pa
Sound pressure	64 dB(A)
Sound power	84 dB(A)
Working range (cooling/heating)	-15 - 52 °C / -25 - 19 °C
Pipe diam. liquid - high pressure gas - low pressure gas	Ø5/8" - Ø7/8" - Ø1 1/8"
Refrigerant charge	10 kg
Power supply	380-415 V / 3 / 50 Hz
Max. input	30 A
Power wiring	(4+T)x10 mm ²
Shielded communication wiring	3x0,75 mm ²

WIRING DIAGRAM



NOTES:

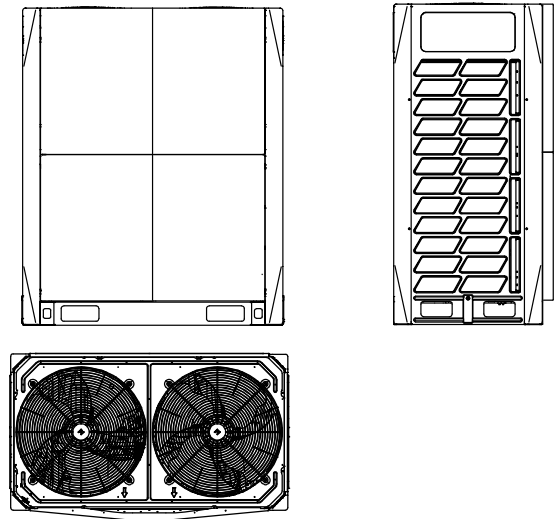
- (1) The data and specifications in this sheet are subject to change without notice.
- (2) The images in this sheet are for guidance only and may be different from the actual machine.
- (3) Cooling capacity conditions: Indoor temperature 27°C DB/19°C WB; Outdoor temperature 35°C DB; Equivalent refrigerant piping length 7.5 m with zero level difference; Data calculated with Duct type indoor unit. Heating capacity conditions: Indoor temperature 20°C DB; Outdoor temperature 7°C DB/6°C WB; Equivalent refrigerant piping length 7.5 m with zero level difference; Data calculated with Duct type indoor unit.
- (4) Diameters given are those for the pipe connecting the outdoor unit combination to the first indoor branch joint for systems with total equivalent liquid piping lengths of less than 90 m. For systems with total equivalent liquid piping lengths of 90 m or longer, please refer to the Engineering Data Book for connection piping diameters.
- (5) Sound pressure level is measured at a position 1 m in front of the unit and 1.3 m above the floor in a semi-anechoic chamber.

PIPELINE LENGTH

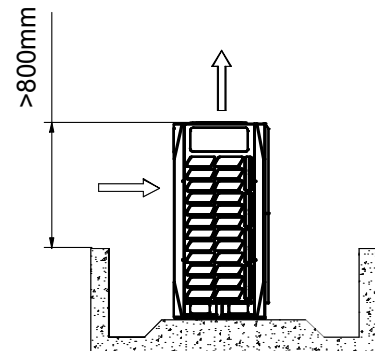
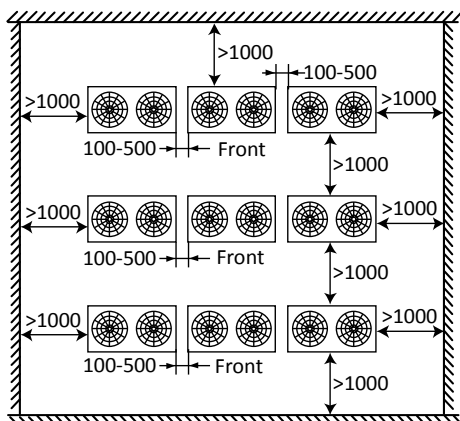
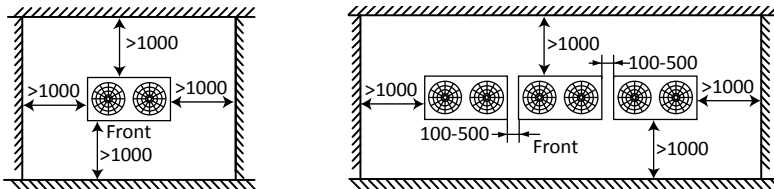
		VRF indoor units only	VRF indoor units and Hydrobox	VRF indoor units and AHUs
Max. pipe length		1.000 m	600 m	1.000 m
Max. distance between outdoor unit and further indoor unit	Real	175 m	135 m	175 m
	Equivalent	200 m	160 m	200 m
From first branch joint to the further indoor unit		90 m	40 m	40 m
From outdoor unit to outdoor branch joint		10 m	10 m	10 m
Height difference	Outdoor unit over	110 m	50 m	50 m
	Outdoor unit below	110 m	40 m	40 m
Height difference between indoor units		30 m	30 m	30 m

DIMENSIONS & WEIGHT

Width	1.340 mm
Height	1.635 mm
Depth	825 mm
Weight	300 kg



INSTALLATION



Amazon IV HR Series

K3F-450 DN4S

PRODUCT SHEET



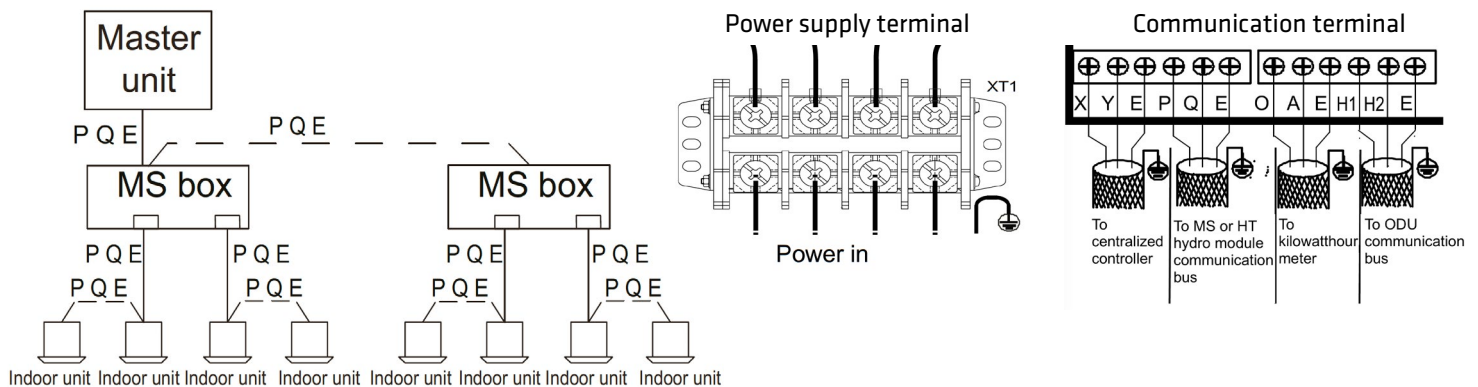
Product certified by:



FEATURES

Model	K3F-450 DN4S
Max. indoor units	64
Cooling capacity	45 kW
Cooling power input	17.450 W
Heating capacity	50 kW
Heating power input	15.870 W
SEER / SCOP	6,44 / 4,33
Airflow	14.900 m ³ /h
Max. static pressure	80 Pa
Sound pressure	64 dB(A)
Sound power	88 dB(A)
Working range (cooling/heating)	-15 - 52 °C / -25 - 19 °C
Pipe diam. liquid - high pressure gas - low pressure gas	Ø5/8" - Ø7/8" - Ø1 1/8"
Refrigerant charge	10 kg
Power supply	380-415 V / 3 / 50 Hz
Max. input	35 A
Power wiring	(4+T)x10 mm ²
Shielded communication wiring	3x0,75 mm ²

WIRING DIAGRAM



NOTES:

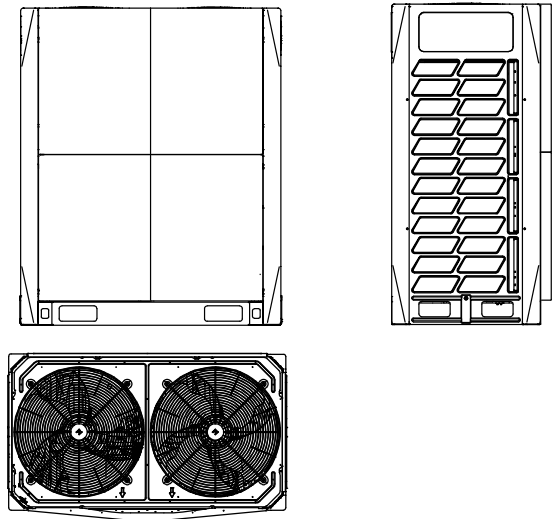
- (1) The data and specifications in this sheet are subject to change without notice.
- (2) The images in this sheet are for guidance only and may be different from the actual machine.
- (3) Cooling capacity conditions: Indoor temperature 27°C DB/19°C WB; Outdoor temperature 35°C DB; Equivalent refrigerant piping length 7.5 m with zero level difference; Data calculated with Duct type indoor unit. Heating capacity conditions: Indoor temperature 20°C DB; Outdoor temperature 7°C DB/6°C WB; Equivalent refrigerant piping length 7.5 m with zero level difference; Data calculated with Duct type indoor unit.
- (4) Diameters given are those for the pipe connecting the outdoor unit combination to the first indoor branch joint for systems with total equivalent liquid piping lengths of less than 90 m. For systems with total equivalent liquid piping lengths of 90 m or longer, please refer to the Engineering Data Book for connection piping diameters.
- (5) Sound pressure level is measured at a position 1 m in front of the unit and 1.3 m above the floor in a semi-anechoic chamber.

PIPELINE LENGTH

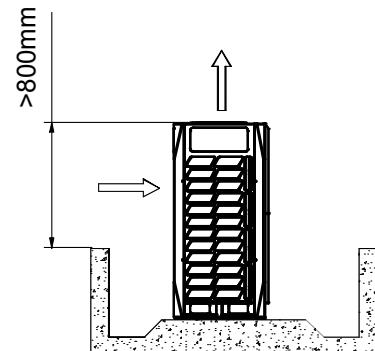
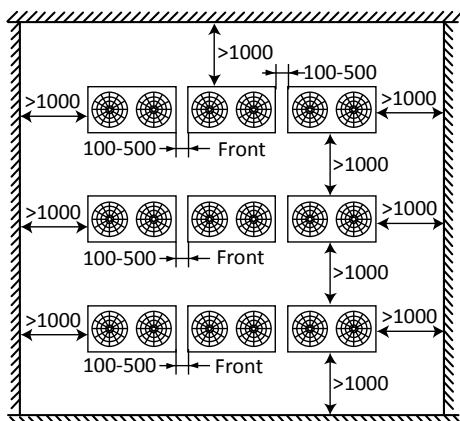
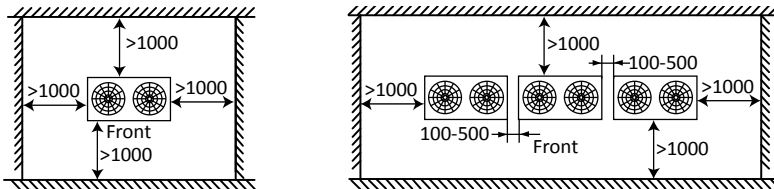
		VRF indoor units only	VRF indoor units and Hydrobox	VRF indoor units and AHUs
Max. pipe length		1.000 m	600 m	1.000 m
Max. distance between outdoor unit and further indoor unit	Real	175 m	135 m	175 m
	Equivalent	200 m	160 m	200 m
From first branch joint to the further indoor unit		90 m	40 m	40 m
From outdoor unit to outdoor branch joint		10 m	10 m	10 m
Height difference	Outdoor unit over	110 m	50 m	50 m
	Outdoor unit below	110 m	40 m	40 m
Height difference between indoor units		30 m	30 m	30 m

DIMENSIONS & WEIGHT

Width	1.340 mm
Height	1.635 mm
Depth	825 mm
Weight	300 kg



INSTALLATION



Amazon IV HR Series

K3F-500 DN4S

PRODUCT SHEET



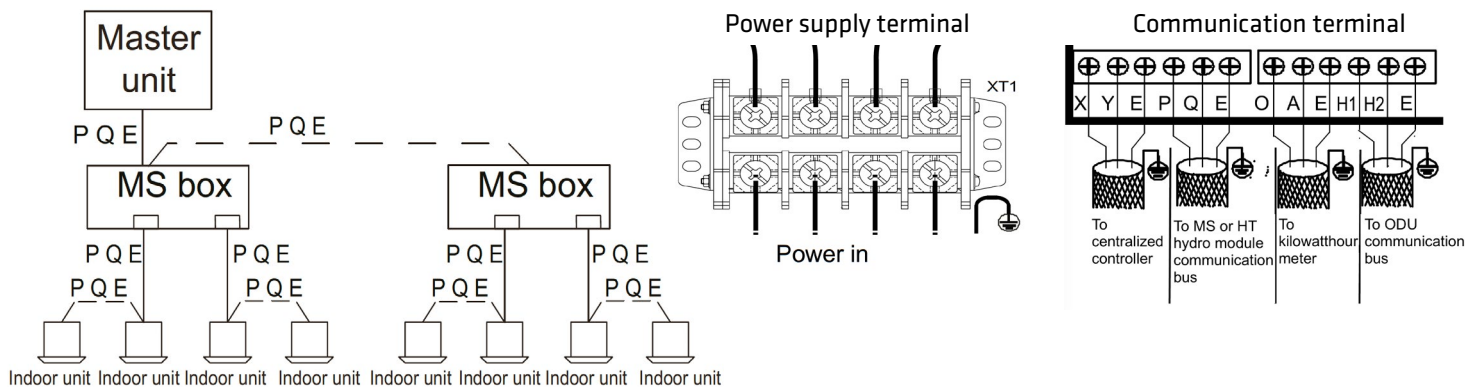
Product certified by:



FEATURES

Model	K3F-500 DN4S
Max. indoor units	64
Cooling capacity	50 kW
Cooling power input	21.990 W
Heating capacity	56 kW
Heating power input	17.070 W
SEER / SCOP	6,22 / 4,40
Airflow	15.800 m ³ /h
Max. static pressure	80 Pa
Sound pressure	65 dB(A)
Sound power	88 dB(A)
Working range (cooling/heating)	-15 - 52 °C / -25 - 19 °C
Pipe diam. liquid - high pressure gas - low pressure gas	Ø5/8" - Ø7/8" - Ø1 1/8"
Refrigerant charge	10 kg
Power supply	380-415 V / 3 / 50 Hz
Max. input	40 A
Power wiring	(4+T)x16 mm ²
Shielded communication wiring	3x0,75 mm ²

WIRING DIAGRAM



NOTES:

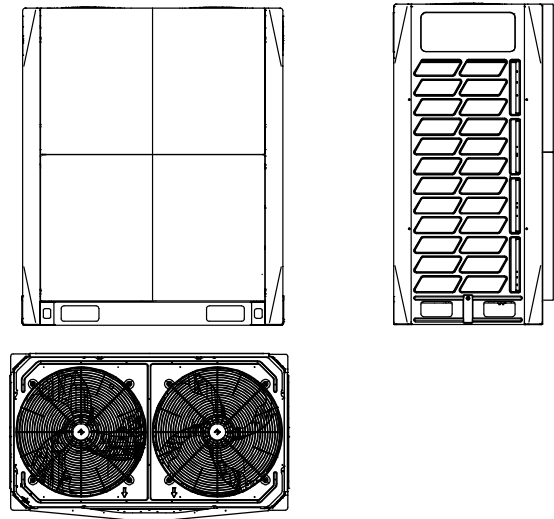
- (1) The data and specifications in this sheet are subject to change without notice.
- (2) The images in this sheet are for guidance only and may be different from the actual machine.
- (3) Cooling capacity conditions: Indoor temperature 27°C DB/19°C WB; Outdoor temperature 35°C DB; Equivalent refrigerant piping length 7.5 m with zero level difference; Data calculated with Duct type indoor unit. Heating capacity conditions: Indoor temperature 20°C DB; Outdoor temperature 7°C DB/6°C WB; Equivalent refrigerant piping length 7.5 m with zero level difference; Data calculated with Duct type indoor unit.
- (4) Diameters given are those for the pipe connecting the outdoor unit combination to the first indoor branch joint for systems with total equivalent liquid piping lengths of less than 90 m. For systems with total equivalent liquid piping lengths of 90 m or longer, please refer to the Engineering Data Book for connection piping diameters.
- (5) Sound pressure level is measured at a position 1 m in front of the unit and 1.3 m above the floor in a semi-anechoic chamber.

PIPELINE LENGTH

		VRF indoor units only	VRF indoor units and Hydrobox	VRF indoor units and AHUs
Max. pipe length		1.000 m	600 m	1.000 m
Max. distance between outdoor unit and further indoor unit	Real	175 m	135 m	175 m
	Equivalent	200 m	160 m	200 m
From first branch joint to the further indoor unit		90 m	40 m	40 m
From outdoor unit to outdoor branch joint		10 m	10 m	10 m
Height difference	Outdoor unit over	110 m	50 m	50 m
	Outdoor unit below	110 m	40 m	40 m
Height difference between indoor units		30 m	30 m	30 m

DIMENSIONS & WEIGHT

Width	1.340 mm
Height	1.635 mm
Depth	825 mm
Weight	300 kg



INSTALLATION

