

# SuperSlim Cassette 840x840

## Twins Axial Current Loop

### PRODUCT SHEET



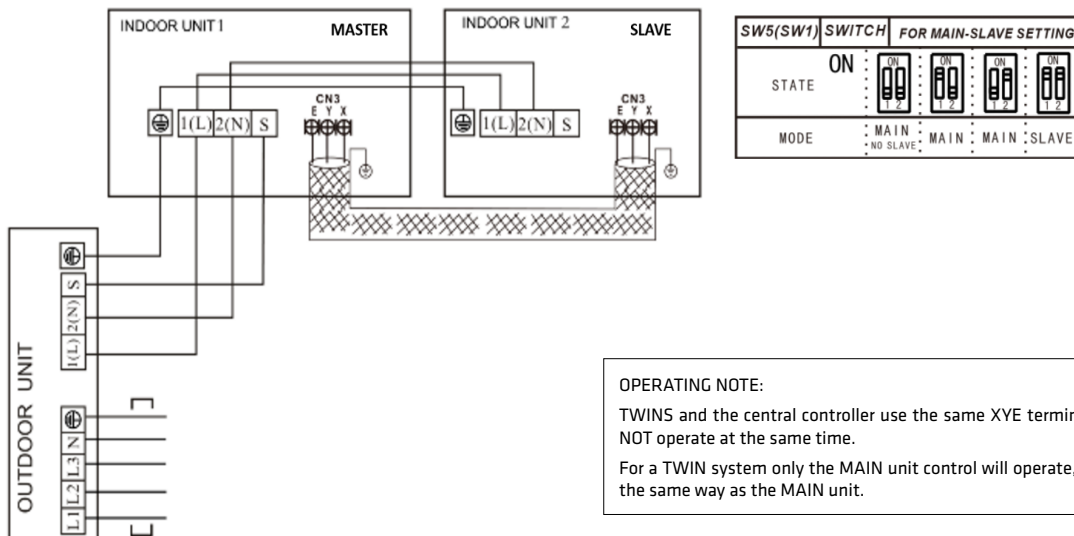
KID-05 S  
Recommended controller



## FEATURES

Indoor model / Outdoor model	2x KCIS-71 DR13 / KUE-140 DTR13
Cooling capacity (indoor)	2x 7,03 kW
Heating capacity (indoor)	2x 7,62 kW
Airflow (indoor)	1.600/1.750/1.900 m <sup>3</sup> /h
Sound pressure (indoor)	48/50,50/52,50 dB(A)
Airflow (outdoor)	4.000 m <sup>3</sup> /h
Sound pressure (outdoor)	63 dB(A)
Power supply	380-415 V / 3 / 50 Hz
Circuit breaker / Fuse	32 / 25 A
Power wiring (outdoor)	(4+T)x2,50 mm <sup>2</sup>
Interconnection wiring (outdoor - indoor)	(3+T)x1 mm <sup>2</sup>
Controller communication wiring	2x0,5 mm <sup>2</sup> (≤20 m) / 2x0,75-1,25 mm <sup>2</sup> (≤50 m)
XYE communication BUS (shielded)	3x0,75 mm <sup>2</sup>

## WIRING DIAGRAM



### OPERATING NOTE:

TWINS and the central controller use the same XYE terminal, so these two functions will NOT operate at the same time.

For a TWIN system only the MAIN unit control will operate, the SLAVE unit will operate in the same way as the MAIN unit.

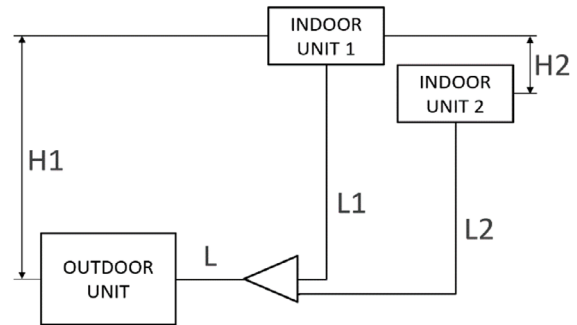
### NOTES:

- (1) The data and specifications present in this sheet may vary without notice.
- (2) The images on this sheet are indicative and may be different from the final machine.

## COOLING CONNECTION

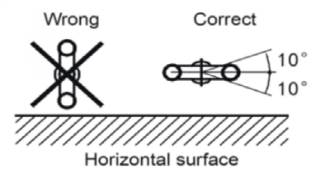
Model	
Refrigerating pipes (L)	Ø3/8" / Ø5/8"
Refrigerating pipes (L1 & L2)	Ø3/8" / Ø5/8"
Refrigerant charge	2,40 kg
Indoor drain pipe	Ø25 mm
Max. pipe length	65 m
Max. level difference between outdoor & indoor unit (H1)	20 m
Max. level difference between indoor units (H2)	0,50 m
Max. pipe length (L1 & L2)	15 m
Difference between pipes (L1-L2)	10 m

### 2x KCIS-71 DR13 / KUE-140 DTR13



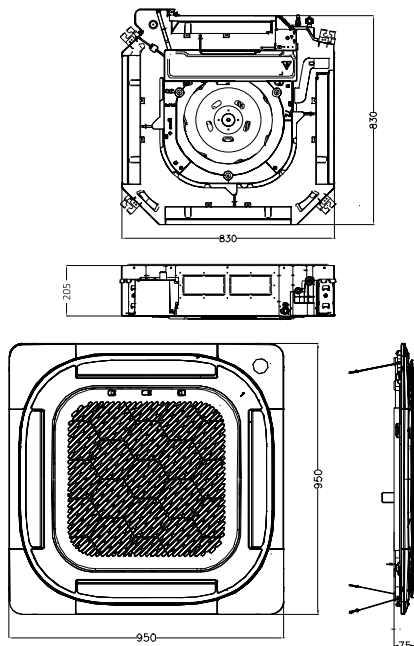
Distributor installation:

A direction view



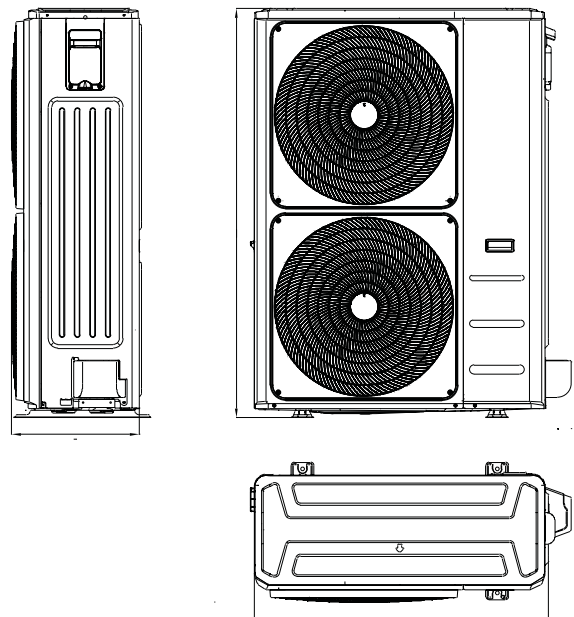
## DIMENSIONS & WEIGHT INDOOR

Model	KCIS-71 DR13 / KPA4-04B 840X840
Width	830 / 950 mm
Height	287 / 55 mm
Depth	830 / 950 mm
Weight	29,30 / 6 kg



## DIMENSIONS & WEIGHT OUTDOOR

Model	KUE-140 DTR13
Width	946 mm
Height	810 mm
Depth	410 mm
Weight	80,50 kg



# SuperSlim Cassette 840x840

## Twins Axial Current Loop

### PRODUCT SHEET



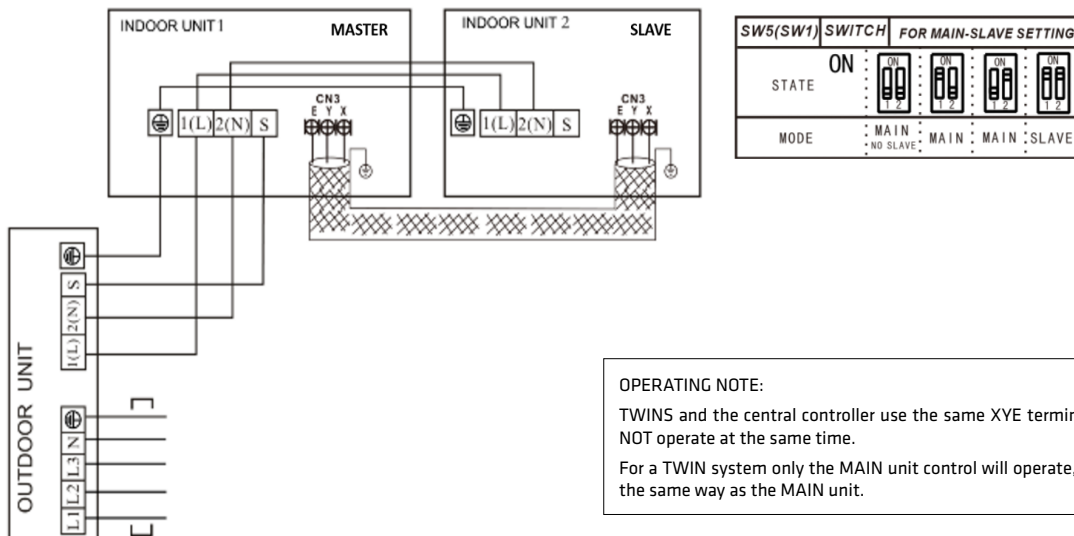
KID-05 S  
Recommended controller



## FEATURES

Indoor model / Outdoor model	2x KCIS-90 DR13 / KUE-160 DTR13
Cooling capacity (indoor)	2x 8,79 kW
Heating capacity (indoor)	2x 9,38 kW
Airflow (indoor)	1.650/1.850/2.000 m <sup>3</sup> /h
Sound pressure (indoor)	49,50/52/54,50 dB(A)
Airflow (outdoor)	7.500 m <sup>3</sup> /h
Sound pressure (outdoor)	64 dB(A)
Power supply	380-415 V / 3 / 50 Hz
Circuit breaker / Fuse	32 / 25 A
Power wiring (outdoor)	(4+T)x2,50 mm <sup>2</sup>
Interconnection wiring (outdoor - indoor)	(3+T)x1 mm <sup>2</sup>
Controller communication wiring	2x0,5 mm <sup>2</sup> (≤20 m) / 2x0,75-1,25 mm <sup>2</sup> (≤50 m)
XYE communication BUS (shielded)	3x0,75 mm <sup>2</sup>

## WIRING DIAGRAM



### OPERATING NOTE:

TWINS and the central controller use the same XYE terminal, so these two functions will NOT operate at the same time.

For a TWIN system only the MAIN unit control will operate, the SLAVE unit will operate in the same way as the MAIN unit.

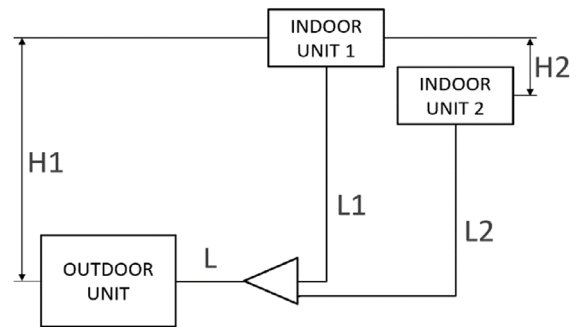
### NOTES:

- (1) The data and specifications present in this sheet may vary without notice.
- (2) The images on this sheet are indicative and may be different from the final machine.

## COOLING CONNECTION

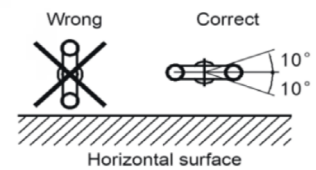
Model	
Refrigerating pipes (L)	Ø3/8" / Ø5/8"
Refrigerating pipes (L1 & L2)	Ø3/8" / Ø5/8"
Refrigerant charge	3 kg
Indoor drain pipe	Ø25 mm
Max. pipe length	65 m
Max. level difference between outdoor & indoor unit (H1)	20 m
Max. level difference between indoor units (H2)	0,50 m
Max. pipe length (L1 & L2)	15 m
Difference between pipes (L1-L2)	10 m

### 2x KCIS-90 DR13 / KUE-160 DTR13



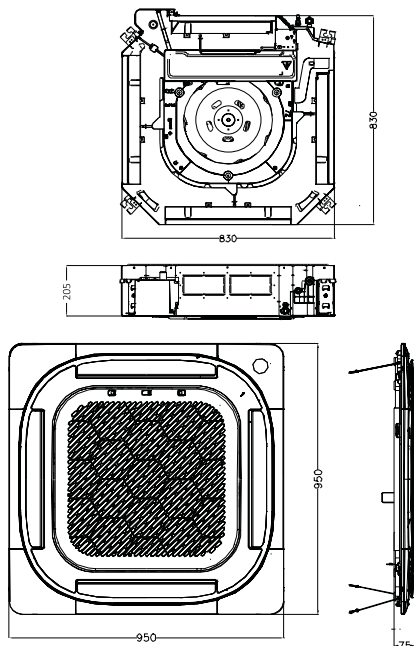
Distributor installation:

A direction view



## DIMENSIONS & WEIGHT INDOOR

Model	KCIS-90 DR13 / KPA4-04B 840X840
Width	830 / 950 mm
Height	287 / 55 mm
Depth	830 / 950 mm
Weight	29,30 / 6 kg



## DIMENSIONS & WEIGHT OUTDOOR

Model	KUE-160 DTR13
Width	952 mm
Height	1.333 mm
Depth	415 mm
Weight	107 kg

