

# Aquantia KHHP-BI

## PRODUCT SHEET



Sheet Outdoor Multi



Sheet Ducts A6 Multi



Sheet Tank DHW

\* Scan QR codes to check the product sheets



## FEATURES

Model		KHHP-BI	
Power supply		220-240 V / 1 / 50 Hz	
Outdoor air 7°C Water 35°C	Heating capacity	8 kW	
	COP	4,40	
Outdoor air 7°C Water 45°C	Heating capacity	8 kW	
	COP	3,20	
Outdoor air 7°C Water 55°C	Heating capacity	8 kW	
	COP	2,40	
Outdoor air 2°C Water 35°C	Heating capacity	8 kW	
	COP	3,10	
Outdoor air 2°C Water 55°C	Heating capacity	8 kW	
	COP	2,10	
Outdoor air -7°C Water 35°C	Heating capacity	7,90 kW	
	COP	2,50	
Outdoor air -7°C Water 55°C	Heating capacity	7 kW	
	COP	1,60	
Energy efficiency	Outdoor air 7°C Water 35°C	Classification	A++
		SCOP	4,26
	Outdoor air 7°C Water 45°C	Classification	A+
		SCOP	2,93
Hydraulic module	Sound pressure	32 dB(A)	
	Electrical heater	Power	3.100 W
		Current	13,50 A
Indoor temperature range	Heating	Room temperature	0°C ~ 43°C
		Flow temperature	25°C ~ 60°C
	DHW	Flow temperature	35°C ~ 55°C
Operating temperature range	Air - Air	Cooling	-15°C ~ 50°C
		Heating	-15°C ~ 24°C
	Air - Water	Heating	-20°C ~ 24°C
		DHW	-20°C ~ 43°C

Outdoor unit 4x1 compatible: **KAM4-105 DR7 (rated cooling capacity 10,55 kW)**.

Indoor units DX compatible: **A6 ducts 2/2,6/3,5/5,2 kW. Check for wall-mounted and cassettes.**

### NOTES:

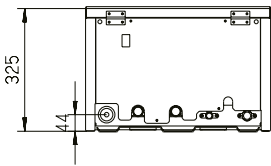
(1) The data and specifications present in this sheet may vary without notice.

(2) The images on this sheet are indicative and may be different from the final machine.

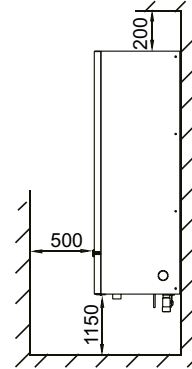
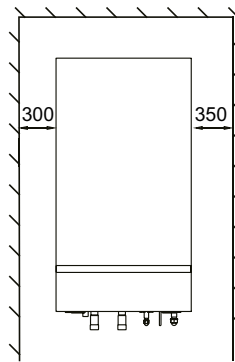
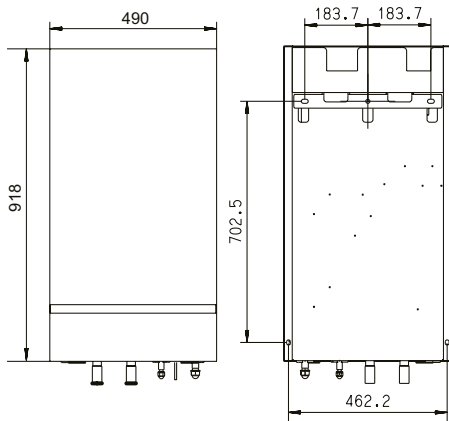
## REFRIGERATING PIPING

Model	KHHP-BI
Diam. liquid / gas pipes	4xØ1/4" / 3xØ3/8" +1xØ1/2"
Max. length for all rooms	80 m
Max. length for 1 indoor unit	35 m
Max. height difference between indoor and outdoor unit	15 m
Max. height difference between indoor units	10 m

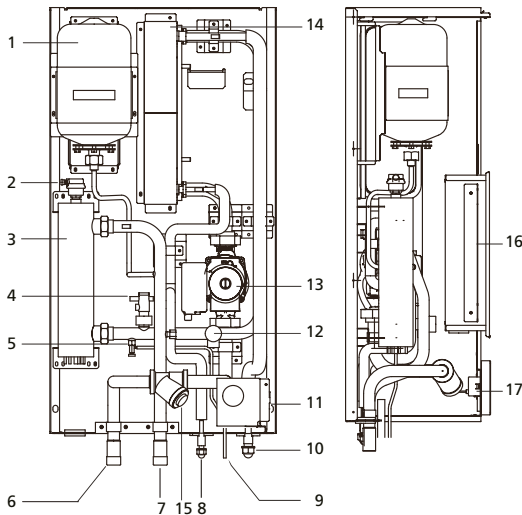
## DIMENSIONS & INSTALLATION DISTANCES



Net weight	56 kg
Gross weight	64 kg



## COMPONENTS



1	Expansion vessel	10	Refrigerant gas connection
2	Automatic air purge valve	11	Manometer
3	Auxiliary heater vessel	12	Relief valve
4	Flow switch	13	Pump
5	Drain valve	14	Refrigerant to water heat exchanger
6	Water inlet	15	Y-style filter (There is a filter inside)
7	Water outlet	16	Electric control box
8	Refrigerant liquid connection	17	Wired controller
9	Drainage		

## INSTALLATION GUIDELINES

