


# Compak

## PRODUCT SHEET



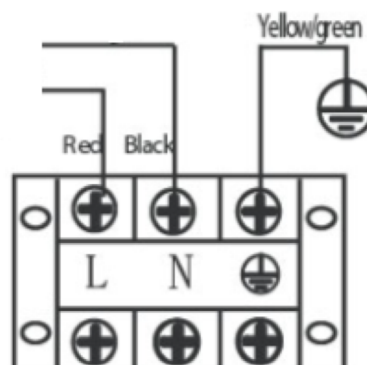
Product certified by: 



### FEATURES

Model	KHPA2 190S	KHPA2 300S
Heating capacity <sup>1</sup>	1,62 kW	2,30 kW
Heating power input <sup>1</sup>	0,42 kW	0,53 kW
Tank volume	168 L	272 L
Air flow	270 m <sup>3</sup> /h	414 m <sup>3</sup> /h
Sound pressure	36,60 dB(A)	38,20 dB(A)
Working weight	277 kg	406 kg
Temperature range outlet water	70°C	65°C (+70°C anti-legionella mode)
Temperature range outdoor	-7°C - 43°C	-7°C - 43°C
Hydraulic connections	Ø3/4" (DN20)	Ø3/4" (DN20)
Drain connections	Ø10 mm	Ø10 mm
Available pressure ESP	25 Pa	45 Pa
Backup heater	3 kW	3 kW
Exchanger	Aluminium coil	
Tank	Enamelled	
Solar coil surface	1,10 m <sup>2</sup>	1,30 m <sup>2</sup>
Power supply	220-240 V / 1 / 50 Hz	
Power wiring	4 mm	4 mm
Max. overcurrent protection / fuse	40 A / 30 A	40 A / 30 A
F.L.A. (Current absorbed at maximum allowed conditions)	16,10 A	16,50 A
M.I.C. (Maximum unit starting current)	28,70 A	40,20 A

### WIRING DIAGRAM

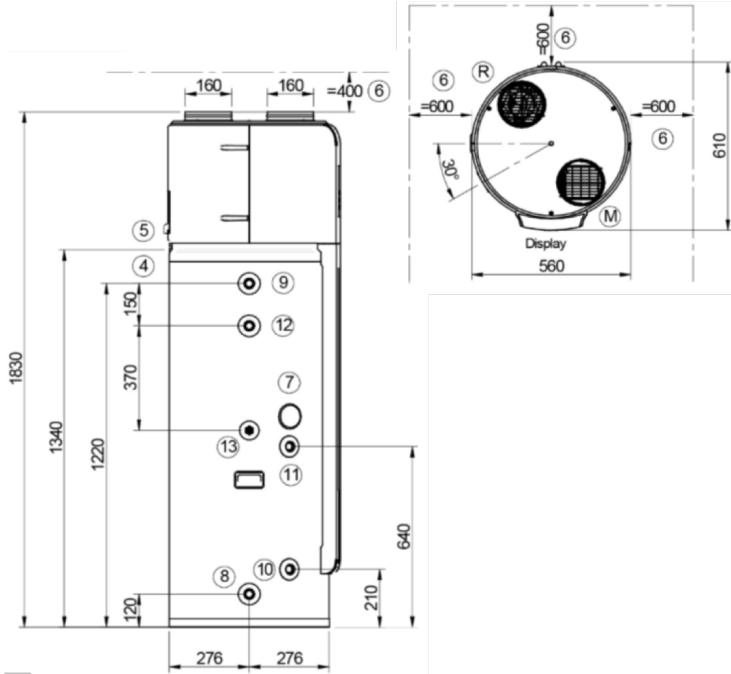


NOTES:

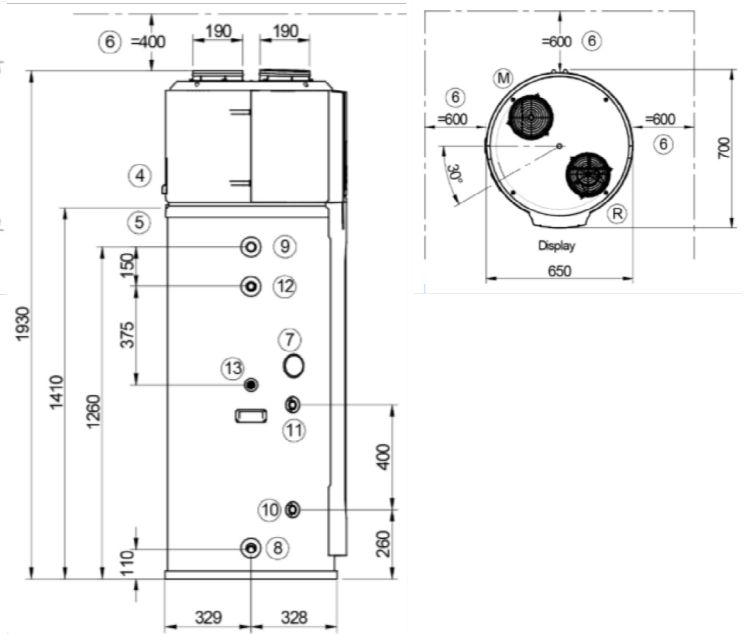
- (1) The data and specifications present in this sheet may vary without notice.  
 (2) The images on this sheet are indicative and may be different from the final machine.

## DIMENSIONS OF UNIT & SPACE FOR INSTALLATION

**KHPA2 16 190S**



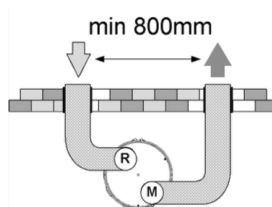
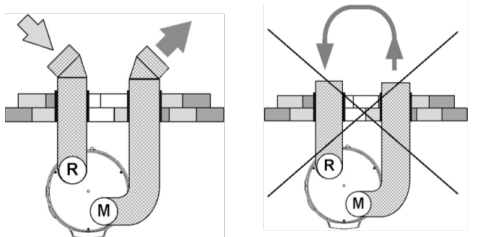
**KHPA2 23 300S**



1 Compressor compartment	6 Functional spaces	11 Solar output 3/4" H (only 300S)
2 Distribution panel	7 Magnesium anode	12 Solar recirculation 3/4" H (only 300S)
3 Unit keyboard	8 Water inlet 3/4" H	13 Solar probe holder
4 Power line input	9 Water outlet 3/4" H	R Air return
5 Condensate discharge	10 Solar entrance 3/4" H (only 300S)	M Air drive

## RECOMMENDED CHANNELING OF AIR

**KHPA2 16 190S**



**KHPA2 23 300S**

