



Compak

PRODUCT SHEET

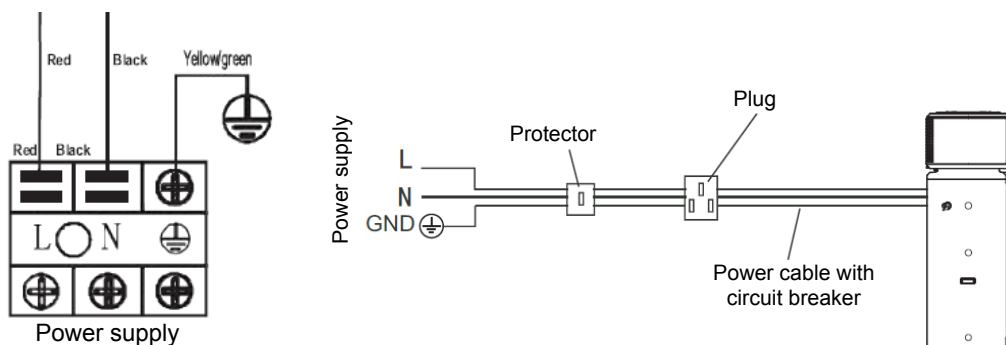

 Product certified by:  


FEATURES

Model	COMPAK KHP 15 190 ACS1	COMPAK KHP 35 300 ACS1
Heating capacity ¹	1,45 kW	3 kW
Heating power input ¹	0,38 kW	0,80 kW
Tank volume	190 L	280 L
Air flow	182/230/270 m ³ /h	312/355/414 m ³ /h
Sound pressure	41 dB(A)	45 dB(A)
Working weight	120 kg	175,50 kg
Temperature range water outlet	38°C - 70°C (up to +70°C during disinfection with electrical resistance)	38°C - 65°C (up to +70°C during disinfection with electrical resistance)
Temperature range ambient operating	-7°C - 43°C	-7°C - 43°C
Hydraulic connections	Ø3/4" (DN20)	Ø3/4" (DN20)
Drain connections	Ø3/4" (DN20)	Ø3/4" (DN20)
Backup heater	3 kW	3 kW
Exchanger	Copper tubing around the tank	
Power supply	220-240 V / 1 / 50 Hz	
Power wiring	3x4 mm	3x4 mm
Max. overcurrent protection	25 / 20 A	40 / 30 A

¹ Outdoor temperature 15/12°C (DB/WB), water inlet 15°C, water outlet 45°C

WIRING DIAGRAM

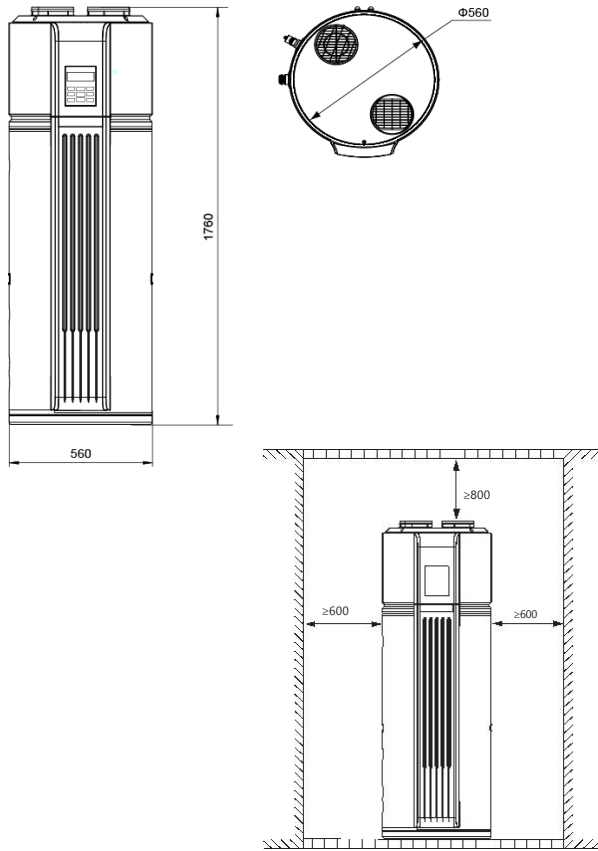


NOTES:

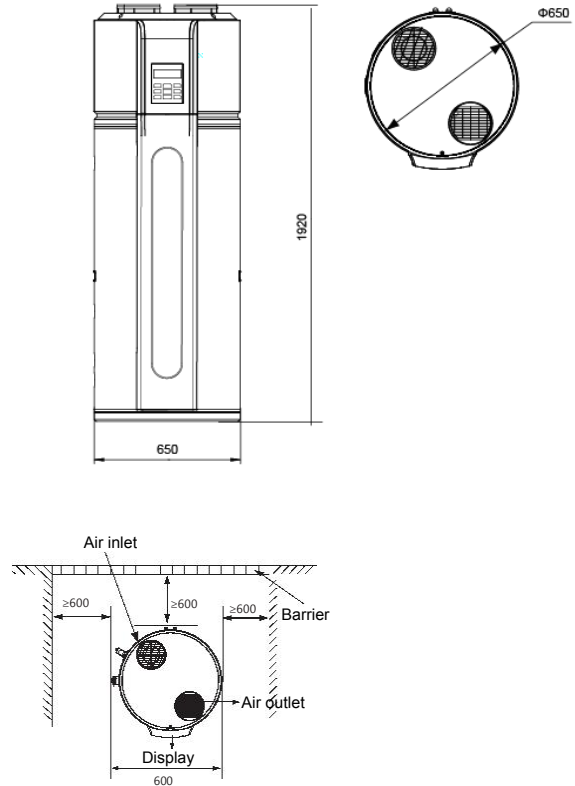
- (1) The data and specifications present in this sheet may vary without notice.
 (2) The images on this sheet are indicative and may be different from the final machine.

DIMENSIONS OF UNIT & SPACE FOR INSTALLATION

COMPAK KHP 15 190 ACS1

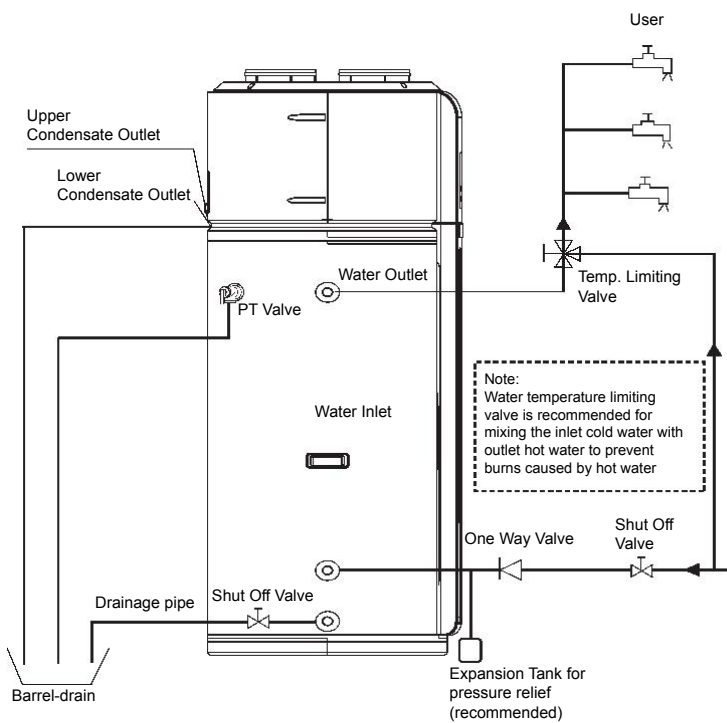


COMPAK KHP 35 300 ACS1



RECOMMENDED CHANNELING OF AIR

COMPAK KHP 15 190 ACS1



COMPAK KHP 35 300 ACS1

