

Amazon V

K2F-252 DN5S

PRODUCT SHEET



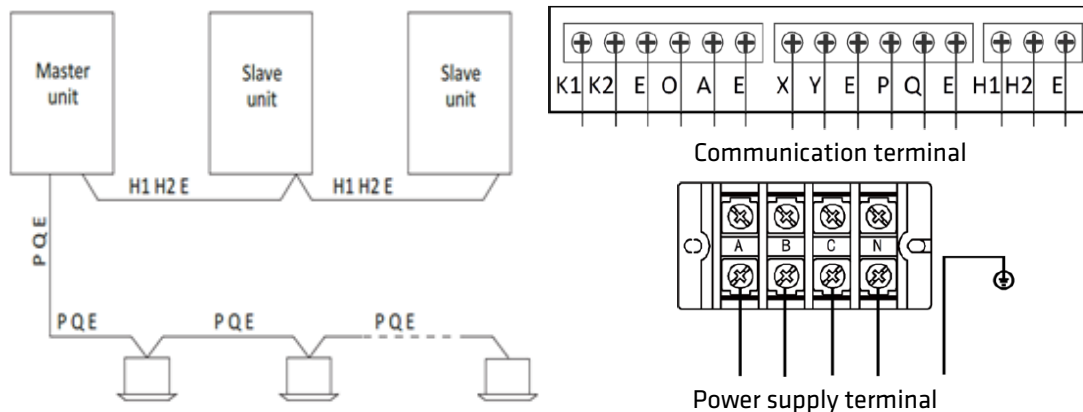
Product certified by:



FEATURES

Model	K2F-252 DN5S
Max. indoor units	22
Cooling capacity	25,20 kW
Cooling power input	8.370 W
Heating capacity	27 kW
Heating power input	7.070 W
SEER / SCOP	6,86 / 4,06
Airflow	11.000 m ³ /h
Max. static pressure	40 Pa
Sound pressure	58 dB(A)
Sound power	83 dB(A)
Working range (cooling/heating)	-5 - 48°C / -23 - 24°C
Refrigerating pipes	Ø1/2" / Ø1"
Refrigerant charge	11 kg
Power supply	380-415 V / 3 / 50 Hz
Max. input	32 A
Power wiring	(4+T)x2,50 mm ²
Shielded communication wiring	3x0,75 mm ²

WIRING DIAGRAM



NOTES:

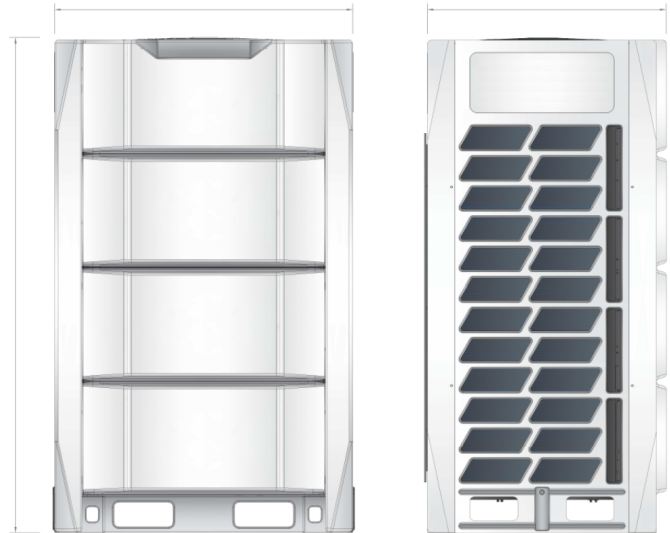
- (1) The data and specifications in this sheet are subject to change without notice.
- (2) The images in this sheet are for guidance only and may be different from the actual machine.
- (3) Cooling capacity conditions: Indoor temperature 27°C DB/19°C WB; Outdoor temperature 35°C DB; Equivalent refrigerant piping length 7.5 m with zero level difference; Data calculated with Duct type indoor unit. Heating capacity conditions: Indoor temperature 20°C DB; Outdoor temperature 7°C DB/6°C WB; Equivalent refrigerant piping length 7.5 m with zero level difference; Data calculated with Duct type indoor unit.
- (4) Diameters given are those for the pipe connecting the outdoor unit combination to the first indoor branch joint for systems with total equivalent liquid piping lengths of less than 90 m. For systems with total equivalent liquid piping lengths of 90 m or longer, please refer to the Engineering Data Book for connection piping diameters.
- (5) Sound pressure level is measured at a position 1 m in front of the unit and 1.3 m above the floor in a semi-anechoic chamber.

PIPELINE LENGTH

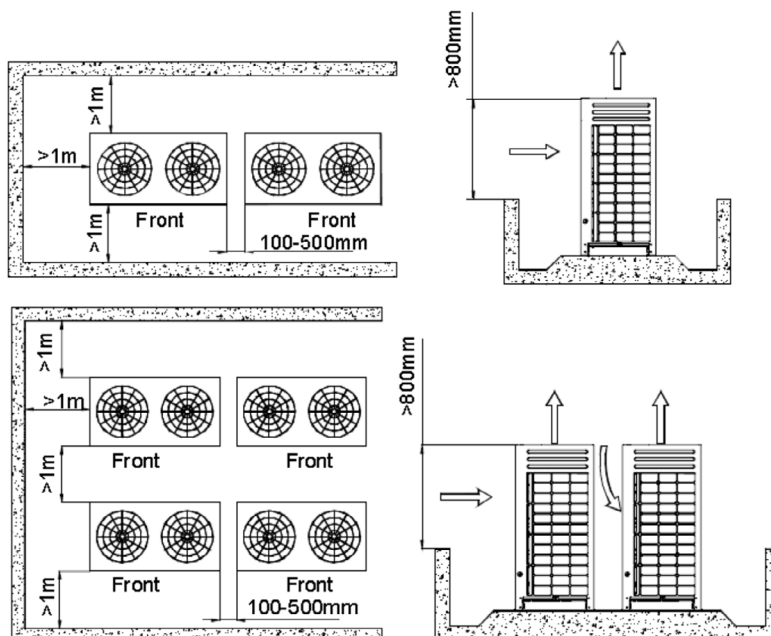
Max. pipe length		1.000 m
Max. distance between outdoor unit and further indoor unit	Real	175 m
	Equivalent	200 m
From first branch joint to the further indoor unit (query*)		40 m (90 m*)
Height difference	Outdoor unit over	90 m
	Outdoor unit below	110 m
Height difference between indoor units		30 m

DIMENSIONS & WEIGHT

Width	990 mm
Height	1.635 mm
Depth	790 mm
Weight	227 kg



INSTALLATION



Amazon V

K2F-280 DN5S

PRODUCT SHEET



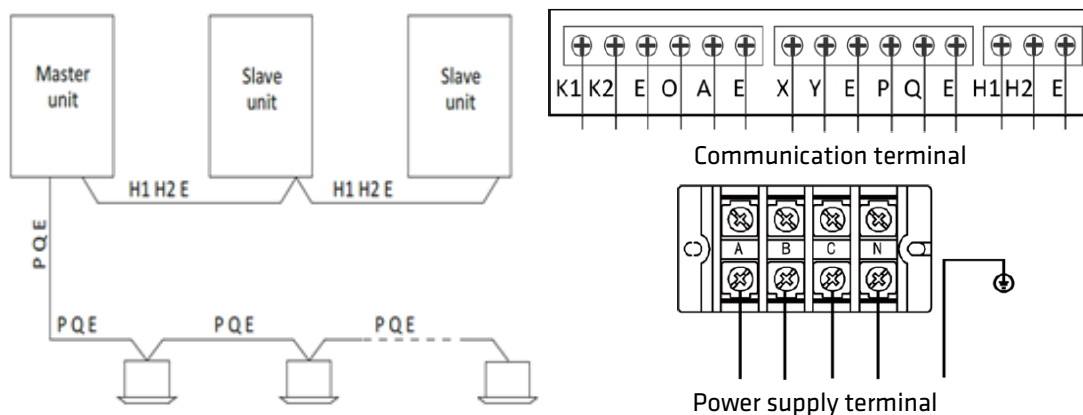
Product certified by:



FEATURES

Model	K2F-280 DN5S
Max. indoor units	24
Cooling capacity	28 kW
Cooling power input	10.570 W
Heating capacity	31,50 kW
Heating power input	8.750 W
SEER / SCOP	6,50 / 4,14
Airflow	11.000 m ³ /h
Max. static pressure	40 Pa
Sound pressure	58 dB(A)
Sound power	84 dB(A)
Working range (cooling/heating)	-5 - 48°C / -23 - 24°C
Refrigerating pipes	Ø1/2" / Ø1"
Refrigerant charge	11 kg
Power supply	380-415 V / 3 / 50 Hz
Max. input	32 A
Power wiring	(4+T)x4 mm ²
Shielded communication wiring	3x0,75 mm ²

WIRING DIAGRAM



NOTES:

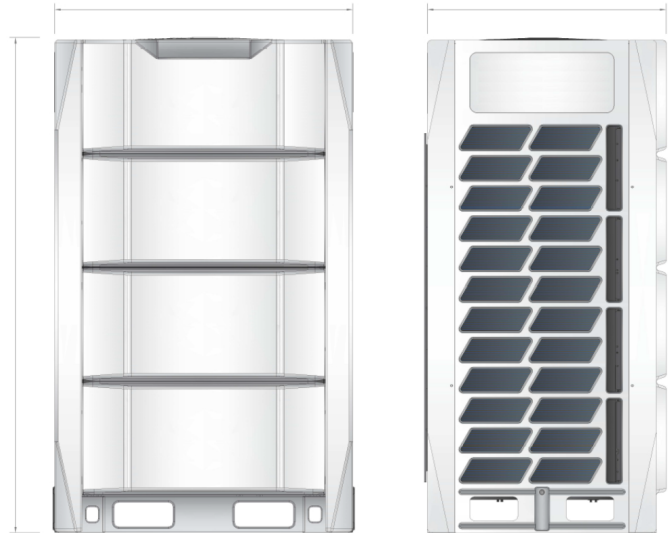
- (1) The data and specifications in this sheet are subject to change without notice.
- (2) The images in this sheet are for guidance only and may be different from the actual machine.
- (3) Cooling capacity conditions: Indoor temperature 27°C DB/19°C WB; Outdoor temperature 35°C DB; Equivalent refrigerant piping length 7.5 m with zero level difference; Data calculated with Duct type indoor unit. Heating capacity conditions: Indoor temperature 20°C DB; Outdoor temperature 7°C DB/6°C WB; Equivalent refrigerant piping length 7.5 m with zero level difference; Data calculated with Duct type indoor unit.
- (4) Diameters given are those for the pipe connecting the outdoor unit combination to the first indoor branch joint for systems with total equivalent liquid piping lengths of less than 90 m. For systems with total equivalent liquid piping lengths of 90 m or longer, please refer to the Engineering Data Book for connection piping diameters.
- (5) Sound pressure level is measured at a position 1 m in front of the unit and 1.3 m above the floor in a semi-anechoic chamber.

PIPELINE LENGTH

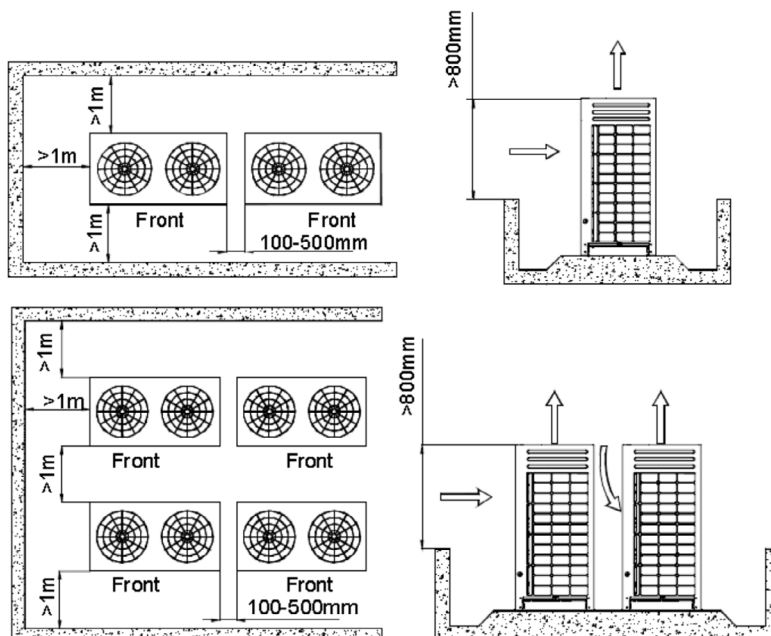
Max. pipe length		1.000 m
Max. distance between outdoor unit and further indoor unit	Real	175 m
	Equivalent	200 m
From first branch joint to the further indoor unit (query*)		40 m (90 m*)
Height difference	Outdoor unit over	90 m
	Outdoor unit below	110 m
Height difference between indoor units		30 m

DIMENSIONS & WEIGHT

Width	990 mm
Height	1.635 mm
Depth	790 mm
Weight	227 kg



INSTALLATION



Amazon V

K2F-335 DN5S

PRODUCT SHEET



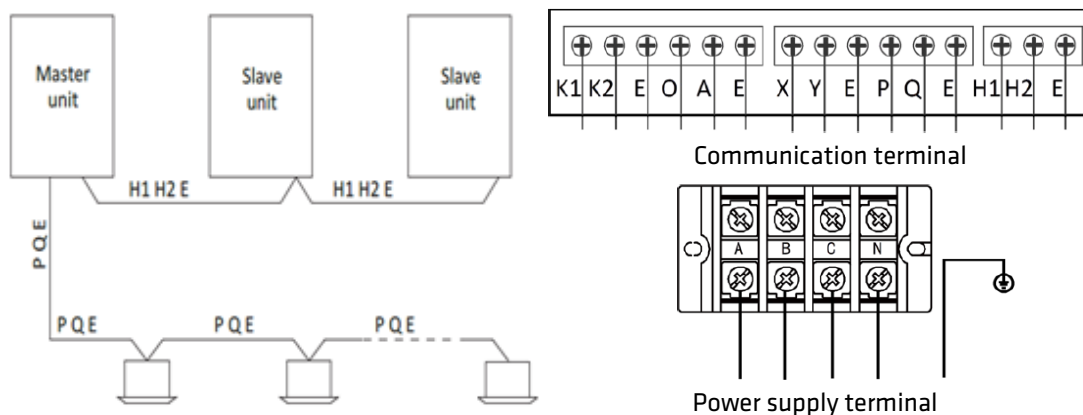
Product certified by:



FEATURES

Model	K2F-335 DN5S
Max. indoor units	29
Cooling capacity	33,50 kW
Cooling power input	13.550 W
Heating capacity	37,50 kW
Heating power input	11.610 W
SEER / SCOP	6,07 / 4,26
Airflow	11.000 m ³ /h
Max. static pressure	40 Pa
Sound pressure	60 dB(A)
Sound power	85 dB(A)
Working range (cooling/heating)	-5 - 48°C / -23 - 24°C
Refrigerating pipes	Ø5/8" / Ø11/8"
Refrigerant charge	11 kg
Power supply	380-415 V / 3 / 50 Hz
Max. input	32 A
Power wiring	(4+T)x6 mm ²
Shielded communication wiring	3x0,75 mm ²

WIRING DIAGRAM



NOTES:

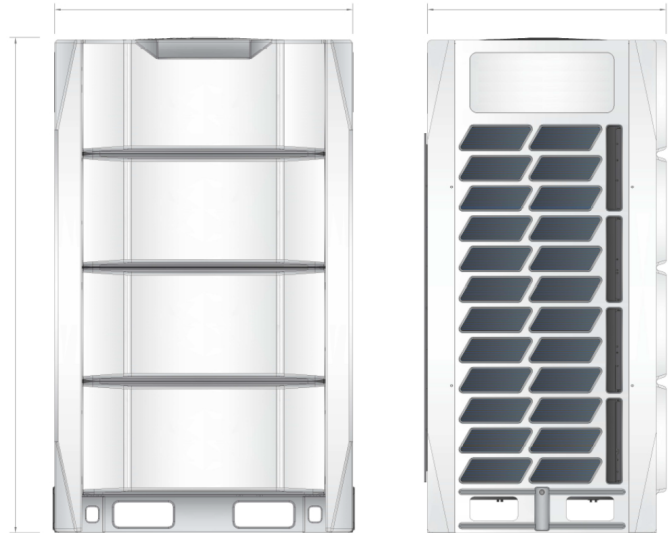
- (1) The data and specifications in this sheet are subject to change without notice.
- (2) The images in this sheet are for guidance only and may be different from the actual machine.
- (3) Cooling capacity conditions: Indoor temperature 27°C DB/19°C WB; Outdoor temperature 35°C DB; Equivalent refrigerant piping length 7.5 m with zero level difference; Data calculated with Duct type indoor unit. Heating capacity conditions: Indoor temperature 20°C DB; Outdoor temperature 7°C DB/6°C WB; Equivalent refrigerant piping length 7.5 m with zero level difference; Data calculated with Duct type indoor unit.
- (4) Diameters given are those for the pipe connecting the outdoor unit combination to the first indoor branch joint for systems with total equivalent liquid piping lengths of less than 90 m. For systems with total equivalent liquid piping lengths of 90 m or longer, please refer to the Engineering Data Book for connection piping diameters.
- (5) Sound pressure level is measured at a position 1 m in front of the unit and 1.3 m above the floor in a semi-anechoic chamber.

PIPELINE LENGTH

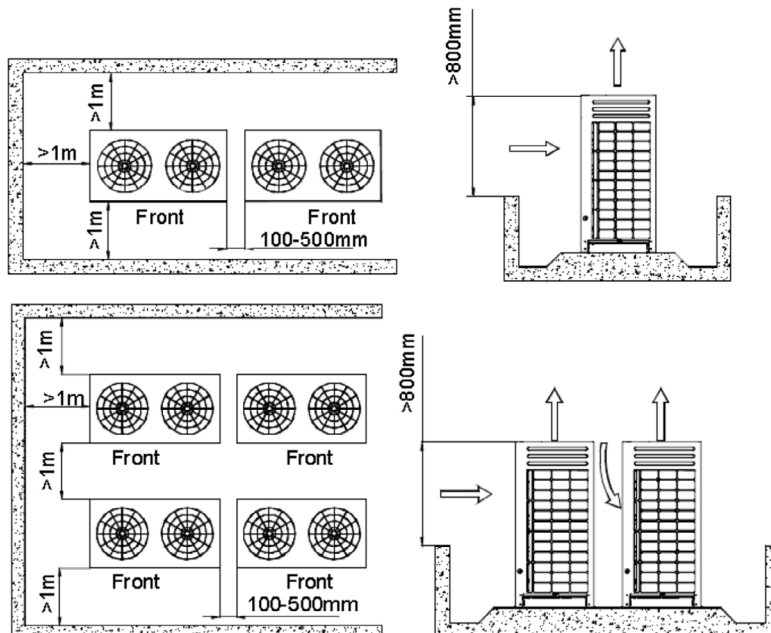
Max. pipe length		1.000 m
Max. distance between outdoor unit and further indoor unit	Real	175 m
	Equivalent	200 m
From first branch joint to the further indoor unit (query*)		40 m (90 m*)
Height difference	Outdoor unit over	90 m
	Outdoor unit below	110 m
Height difference between indoor units		30 m

DIMENSIONS & WEIGHT

Width	990 mm
Height	1.635 mm
Depth	790 mm
Weight	227 kg



INSTALLATION



Amazon V

K2F-400 DN5S

PRODUCT SHEET



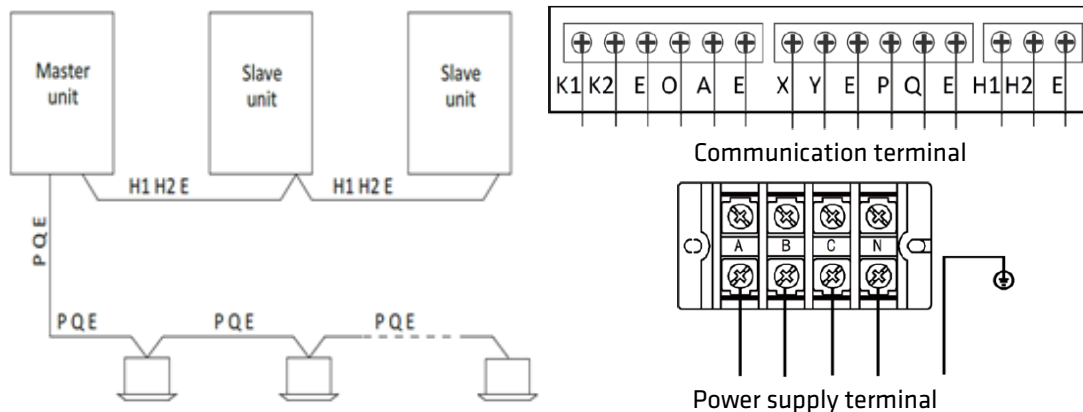
Product certified by:



FEATURES

Model	K2F-400 DN5S
Max. indoor units	35
Cooling capacity	40 kW
Cooling power input	15.210 W
Heating capacity	45 kW
Heating power input	13.520 W
SEER / SCOP	6,37 / 3,85
Airflow	13.000 m ³ /h
Max. static pressure	40 Pa
Sound pressure	62 dB(A)
Sound power	86 dB(A)
Working range (cooling/heating)	-5 - 48°C / -23 - 24°C
Refrigerating pipes	Ø5/8" / Ø1 1/4"
Refrigerant charge	13 kg
Power supply	380-415 V / 3 / 50 Hz
Max. input	40 A
Power wiring	(4+T)x10 mm ²
Shielded communication wiring	3x0,75 mm ²

WIRING DIAGRAM



NOTES:

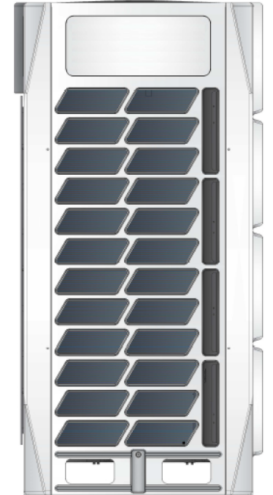
- (1) The data and specifications in this sheet are subject to change without notice.
- (2) The images in this sheet are for guidance only and may be different from the actual machine.
- (3) Cooling capacity conditions: Indoor temperature 27°C DB/19°C WB; Outdoor temperature 35°C DB; Equivalent refrigerant piping length 7.5 m with zero level difference; Data calculated with Duct type indoor unit. Heating capacity conditions: Indoor temperature 20°C DB; Outdoor temperature 7°C DB/6°C WB; Equivalent refrigerant piping length 7.5 m with zero level difference; Data calculated with Duct type indoor unit.
- (4) Diameters given are those for the pipe connecting the outdoor unit combination to the first indoor branch joint for systems with total equivalent liquid piping lengths of less than 90 m. For systems with total equivalent liquid piping lengths of 90 m or longer, please refer to the Engineering Data Book for connection piping diameters.
- (5) Sound pressure level is measured at a position 1 m in front of the unit and 1.3 m above the floor in a semi-anechoic chamber.

PIPELINE LENGTH

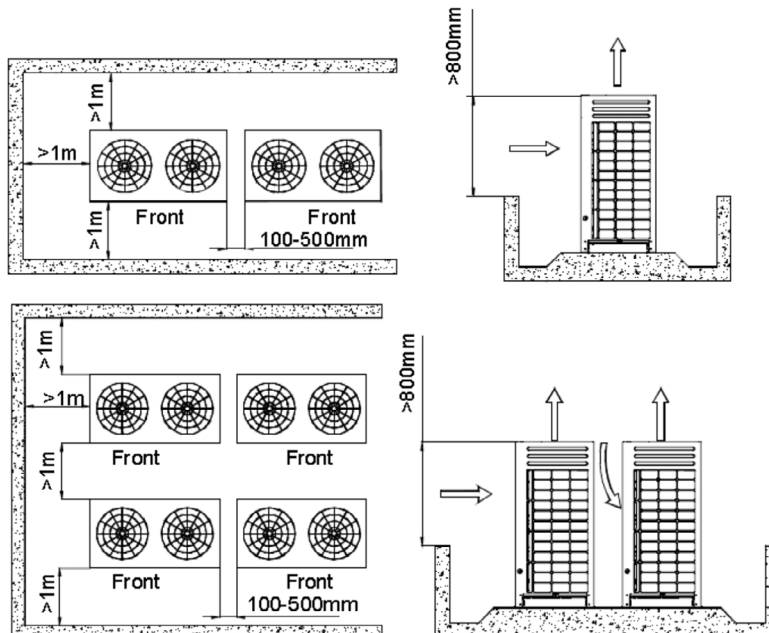
Max. pipe length		1.000 m
Max. distance between outdoor unit and further indoor unit	Real	175 m
	Equivalent	200 m
From first branch joint to the further indoor unit (query*)		40 m (90 m*)
Height difference	Outdoor unit over	90 m
	Outdoor unit below	110 m
Height difference between indoor units		30 m

DIMENSIONS & WEIGHT

Width	1.340 mm
Height	1.635 mm
Depth	850 mm
Weight	277 kg



INSTALLATION



Amazon V

K2F-450 DN5S

PRODUCT SHEET



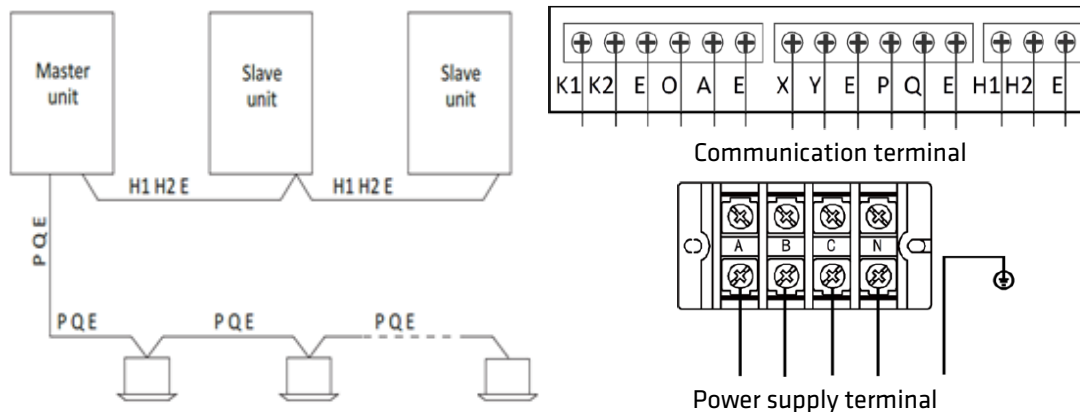
Product certified by:



FEATURES

Model	K2F-450 DN5S
Max. indoor units	39
Cooling capacity	45 kW
Cooling power input	20.740 W
Heating capacity	50 kW
Heating power input	16.420 W
SEER / SCOP	5,64 / 4,31
Airflow	13.000 m ³ /h
Max. static pressure	40 Pa
Sound pressure	65 dB(A)
Sound power	86 dB(A)
Working range (cooling/heating)	-5 - 48°C / -23 - 24°C
Refrigerating pipes	Ø5/8" / Ø1 1/4"
Refrigerant charge	13 kg
Power supply	380-415 V / 3 / 50 Hz
Max. input	40 A
Power wiring	(4+T)x16 mm ²
Shielded communication wiring	3x0,75 mm ²

WIRING DIAGRAM



NOTES:

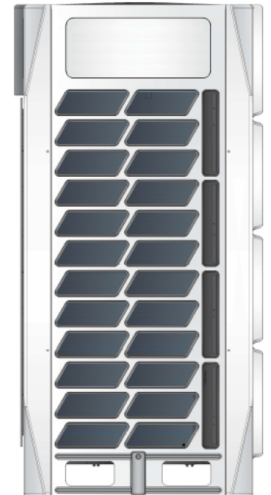
- (1) The data and specifications in this sheet are subject to change without notice.
- (2) The images in this sheet are for guidance only and may be different from the actual machine.
- (3) Cooling capacity conditions: Indoor temperature 27°C DB/19°C WB; Outdoor temperature 35°C DB; Equivalent refrigerant piping length 7.5 m with zero level difference; Data calculated with Duct type indoor unit. Heating capacity conditions: Indoor temperature 20°C DB; Outdoor temperature 7°C DB/6°C WB; Equivalent refrigerant piping length 7.5 m with zero level difference; Data calculated with Duct type indoor unit.
- (4) Diameters given are those for the pipe connecting the outdoor unit combination to the first indoor branch joint for systems with total equivalent liquid piping lengths of less than 90 m. For systems with total equivalent liquid piping lengths of 90 m or longer, please refer to the Engineering Data Book for connection piping diameters.
- (5) Sound pressure level is measured at a position 1 m in front of the unit and 1.3 m above the floor in a semi-anechoic chamber.

PIPELINE LENGTH

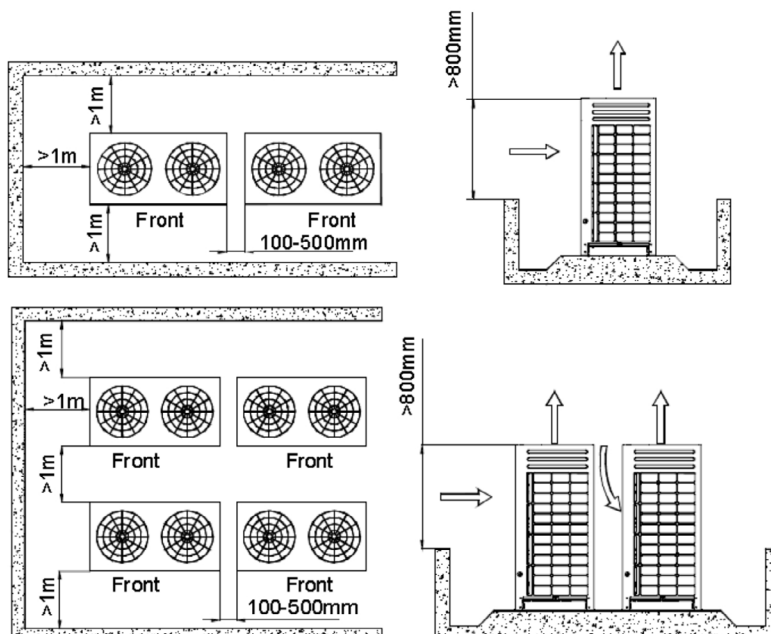
Max. pipe length		1.000 m
Max. distance between outdoor unit and further indoor unit	Real	175 m
	Equivalent	200 m
From first branch joint to the further indoor unit (query*)		40 m (90 m*)
Height difference	Outdoor unit over	90 m
	Outdoor unit below	110 m
Height difference between indoor units		30 m

DIMENSIONS & WEIGHT

Width	1.340 mm
Height	1.635 mm
Depth	850 mm
Weight	277 kg



INSTALLATION



Amazon V

K2F-500 DN5S

PRODUCT SHEET



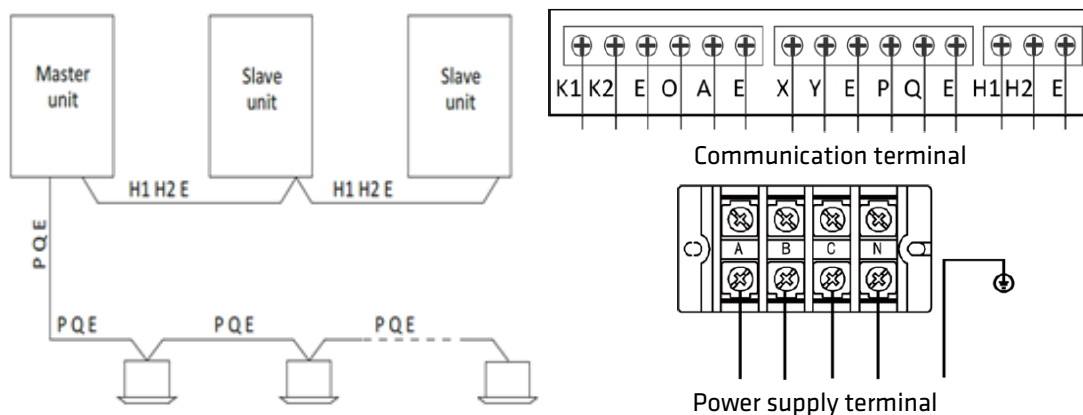
Product certified by:



FEATURES

Model	K2F-500 DN5S
Max. indoor units	44
Cooling capacity	50 kW
Cooling power input	21.690 W
Heating capacity	56 kW
Heating power input	15.870 W
SEER / SCOP	5,93 / 4,10
Airflow	17.000 m ³ /h
Max. static pressure	40 Pa
Sound pressure	65 dB(A)
Sound power	88 dB(A)
Working range (cooling/heating)	-5 - 48°C / -23 - 24°C
Refrigerating pipes	Ø3/4" / Ø1 1/4"
Refrigerant charge	17 kg
Power supply	380-415 V / 3 / 50 Hz
Max. input	50 A
Power wiring	(4+T)x16 mm ²
Shielded communication wiring	3x0,75 mm ²

WIRING DIAGRAM



NOTES:

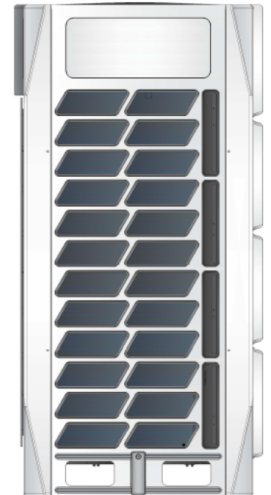
- (1) The data and specifications in this sheet are subject to change without notice.
- (2) The images in this sheet are for guidance only and may be different from the actual machine.
- (3) Cooling capacity conditions: Indoor temperature 27°C DB/19°C WB; Outdoor temperature 35°C DB; Equivalent refrigerant piping length 7.5 m with zero level difference; Data calculated with Duct type indoor unit. Heating capacity conditions: Indoor temperature 20°C DB; Outdoor temperature 7°C DB/6°C WB; Equivalent refrigerant piping length 7.5 m with zero level difference; Data calculated with Duct type indoor unit.
- (4) Diameters given are those for the pipe connecting the outdoor unit combination to the first indoor branch joint for systems with total equivalent liquid piping lengths of less than 90 m. For systems with total equivalent liquid piping lengths of 90 m or longer, please refer to the Engineering Data Book for connection piping diameters.
- (5) Sound pressure level is measured at a position 1 m in front of the unit and 1.3 m above the floor in a semi-anechoic chamber.

PIPELINE LENGTH

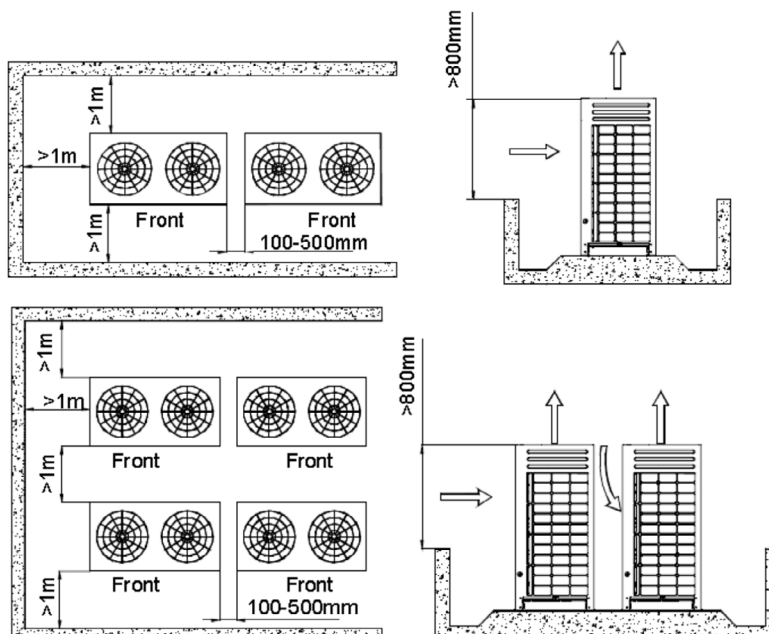
Max. pipe length		1.000 m
Max. distance between outdoor unit and further indoor unit	Real	175 m
	Equivalent	200 m
From first branch joint to the further indoor unit (query*)		40 m (90 m*)
Height difference	Outdoor unit over	90 m
	Outdoor unit below	110 m
Height difference between indoor units		30 m

DIMENSIONS & WEIGHT

Width	1.340 mm
Height	1.635 mm
Depth	825 mm
Weight	348 kg



INSTALLATION



Amazon V

K2F-560 DN5S

PRODUCT SHEET



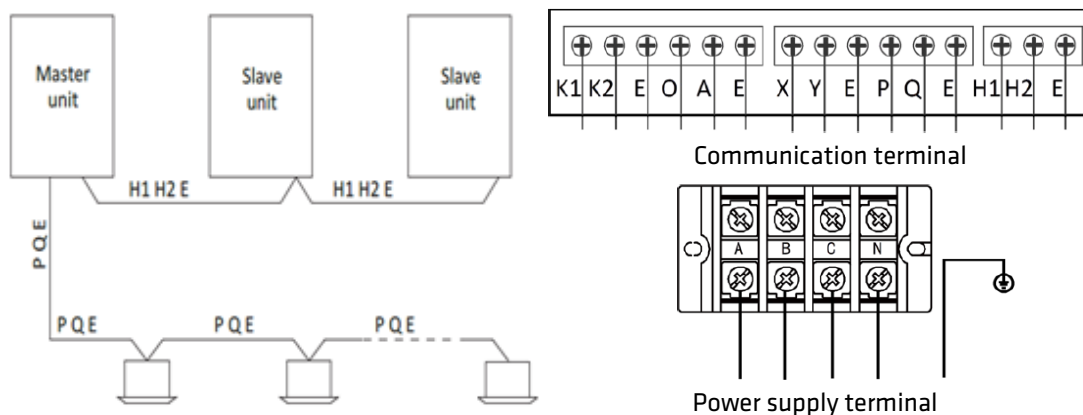
Product certified by:



FEATURES

Model	K2F-560 DN5S
Max. indoor units	49
Cooling capacity	56 kW
Cooling power input	29.630 W
Heating capacity	63 kW
Heating power input	18.090 W
SEER / SCOP	5,38 / 4
Airflow	17.000 m ³ /h
Max. static pressure	40 Pa
Sound pressure	66 dB(A)
Sound power	89 dB(A)
Working range (cooling/heating)	-5 - 48°C / -23 - 24°C
Refrigerating pipes	Ø3/4" / Ø1 1/4"
Refrigerant charge	17 kg
Power supply	380-415 V / 3 / 50 Hz
Max. input	50 A
Power wiring	(4+T)x16 mm ²
Shielded communication wiring	3x0,75 mm ²

WIRING DIAGRAM



NOTES:

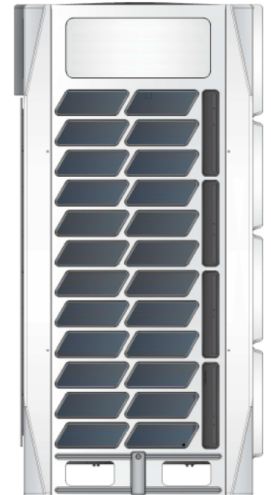
- (1) The data and specifications in this sheet are subject to change without notice.
- (2) The images in this sheet are for guidance only and may be different from the actual machine.
- (3) Cooling capacity conditions: Indoor temperature 27°C DB/19°C WB; Outdoor temperature 35°C DB; Equivalent refrigerant piping length 7.5 m with zero level difference; Data calculated with Duct type indoor unit. Heating capacity conditions: Indoor temperature 20°C DB; Outdoor temperature 7°C DB/6°C WB; Equivalent refrigerant piping length 7.5 m with zero level difference; Data calculated with Duct type indoor unit.
- (4) Diameters given are those for the pipe connecting the outdoor unit combination to the first indoor branch joint for systems with total equivalent liquid piping lengths of less than 90 m. For systems with total equivalent liquid piping lengths of 90 m or longer, please refer to the Engineering Data Book for connection piping diameters.
- (5) Sound pressure level is measured at a position 1 m in front of the unit and 1.3 m above the floor in a semi-anechoic chamber.

PIPELINE LENGTH

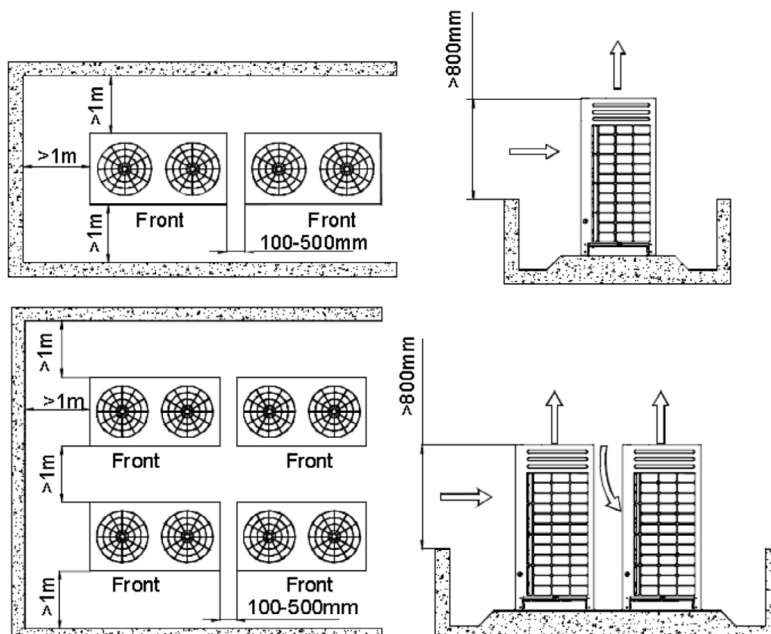
Max. pipe length		1.000 m
Max. distance between outdoor unit and further indoor unit	Real	175 m
	Equivalent	200 m
From first branch joint to the further indoor unit (query*)		40 m (90 m*)
Height difference	Outdoor unit over	90 m
	Outdoor unit below	110 m
Height difference between indoor units		30 m

DIMENSIONS & WEIGHT

Width	1.340 mm
Height	1.645 mm
Depth	825 mm
Weight	348 kg



INSTALLATION



Amazon V

K2F-615 DN5S

PRODUCT SHEET



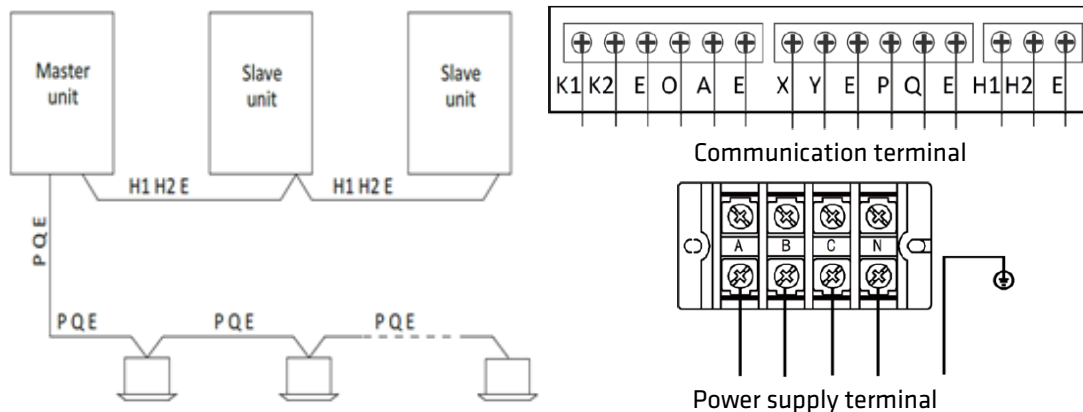
Product certified by:



FEATURES

Model	K2F-615 DN5S
Max. indoor units	54
Cooling capacity	59 kW
Cooling power input	34.580 W
Heating capacity	66,20 kW
Heating power input	21.860 W
SEER / SCOP	5,10 / 4,40
Airflow	17.000 m ³ /h
Max. static pressure	40 Pa
Sound pressure	66 dB(A)
Sound power	89 dB(A)
Working range (cooling/heating)	-5 - 48°C / -23 - 24°C
Refrigerating pipes	Ø3/4" / Ø1 1/4"
Refrigerant charge	17 kg
Power supply	380-415 V / 3 / 50 Hz
Max. input	63 A
Power wiring	(4+T)x16 mm ²
Shielded communication wiring	3x0,75 mm ²

WIRING DIAGRAM



NOTES:

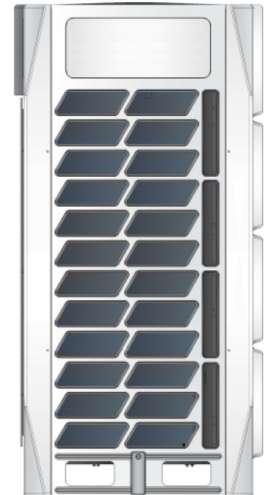
- (1) The data and specifications in this sheet are subject to change without notice.
- (2) The images in this sheet are for guidance only and may be different from the actual machine.
- (3) Cooling capacity conditions: Indoor temperature 27°C DB/19°C WB; Outdoor temperature 35°C DB; Equivalent refrigerant piping length 7.5 m with zero level difference; Data calculated with Duct type indoor unit. Heating capacity conditions: Indoor temperature 20°C DB; Outdoor temperature 7°C DB/6°C WB; Equivalent refrigerant piping length 7.5 m with zero level difference; Data calculated with Duct type indoor unit.
- (4) Diameters given are those for the pipe connecting the outdoor unit combination to the first indoor branch joint for systems with total equivalent liquid piping lengths of less than 90 m. For systems with total equivalent liquid piping lengths of 90 m or longer, please refer to the Engineering Data Book for connection piping diameters.
- (5) Sound pressure level is measured at a position 1 m in front of the unit and 1.3 m above the floor in a semi-anechoic chamber.

PIPELINE LENGTH

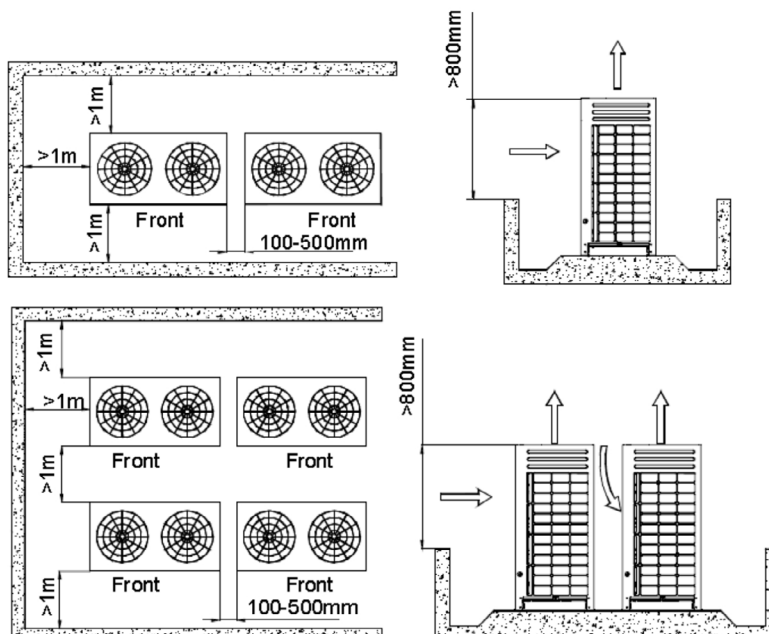
Max. pipe length		1.000 m
Max. distance between outdoor unit and further indoor unit	Real	175 m
	Equivalent	200 m
From first branch joint to the further indoor unit (query*)		40 m (90 m*)
Height difference	Outdoor unit over	90 m
	Outdoor unit below	110 m
Height difference between indoor units		30 m

DIMENSIONS & WEIGHT

Width	1.340 mm
Height	1.645 mm
Depth	825 mm
Weight	348 kg



INSTALLATION



Amazon V

K2F-670 DN5S

PRODUCT SHEET



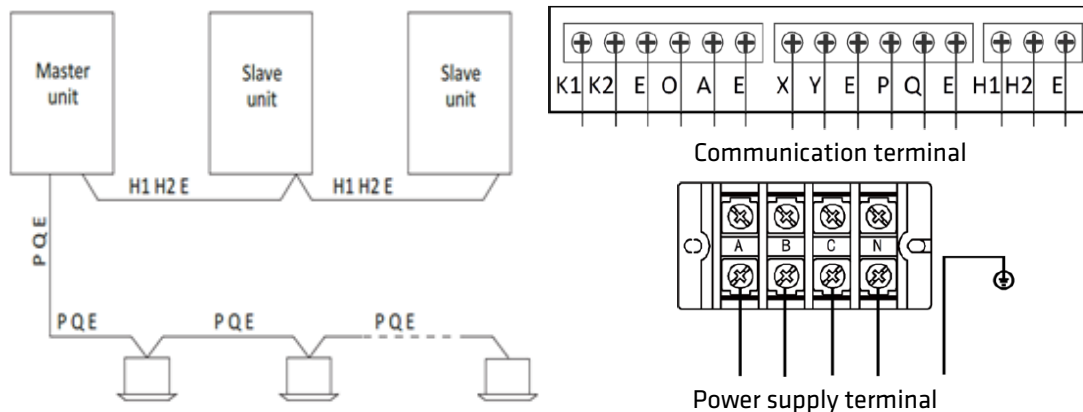
Product certified by:



FEATURES

Model	K2F-670 DN5S
Max. indoor units	59
Cooling capacity	67 kW
Cooling power input	31.850 W
Heating capacity	75 kW
Heating power input	20.940 W
SEER / SCOP	5,68 / 4,45
Airflow	25.000 m ³ /h
Max. static pressure	40 Pa
Sound pressure	67 dB(A)
Sound power	92 dB(A)
Working range (cooling/heating)	-5 - 48°C / -23 - 24°C
Refrigerating pipes	Ø3/4" / Ø1 1/4"
Refrigerant charge	22 kg
Power supply	380-415 V / 3 / 50 Hz
Max. input	63 A
Power wiring	(4+T)x25 mm ²
Shielded communication wiring	3x0,75 mm ²

WIRING DIAGRAM



NOTES:

- (1) The data and specifications in this sheet are subject to change without notice.
- (2) The images in this sheet are for guidance only and may be different from the actual machine.
- (3) Cooling capacity conditions: Indoor temperature 27°C DB/19°C WB; Outdoor temperature 35°C DB; Equivalent refrigerant piping length 7.5 m with zero level difference; Data calculated with Duct type indoor unit. Heating capacity conditions: Indoor temperature 20°C DB; Outdoor temperature 7°C DB/6°C WB; Equivalent refrigerant piping length 7.5 m with zero level difference; Data calculated with Duct type indoor unit.
- (4) Diameters given are those for the pipe connecting the outdoor unit combination to the first indoor branch joint for systems with total equivalent liquid piping lengths of less than 90 m. For systems with total equivalent liquid piping lengths of 90 m or longer, please refer to the Engineering Data Book for connection piping diameters.
- (5) Sound pressure level is measured at a position 1 m in front of the unit and 1.3 m above the floor in a semi-anechoic chamber.

PIPELINE LENGTH

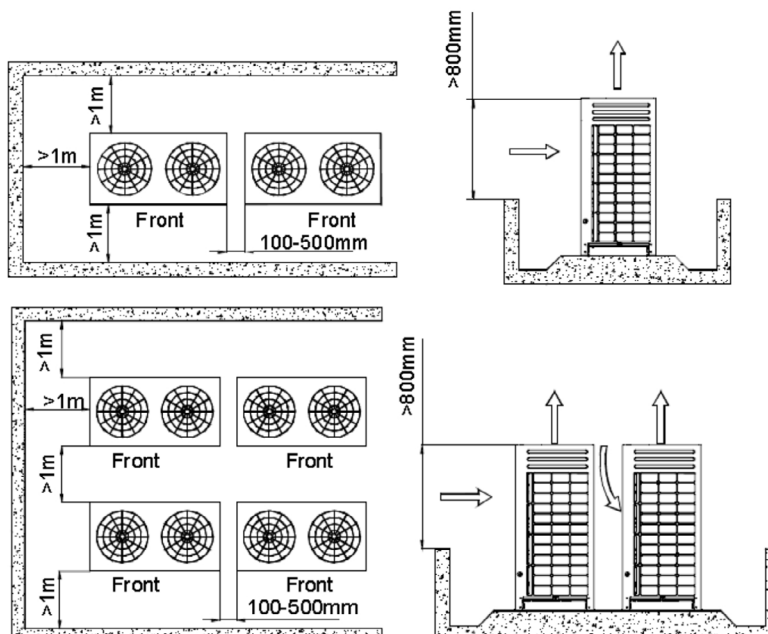
Max. pipe length		1.000 m
Max. distance between outdoor unit and further indoor unit	Real	175 m
	Equivalent	200 m
From first branch joint to the further indoor unit (query*)		40 m (90 m*)
Height difference	Outdoor unit over	90 m
	Outdoor unit below	110 m
Height difference between indoor units		30 m

DIMENSIONS & WEIGHT

Width	1.730 mm
Height	1.830 mm
Depth	850 mm
Weight	430 kg



INSTALLATION



Amazon V

K2F-730 DN5S

PRODUCT SHEET



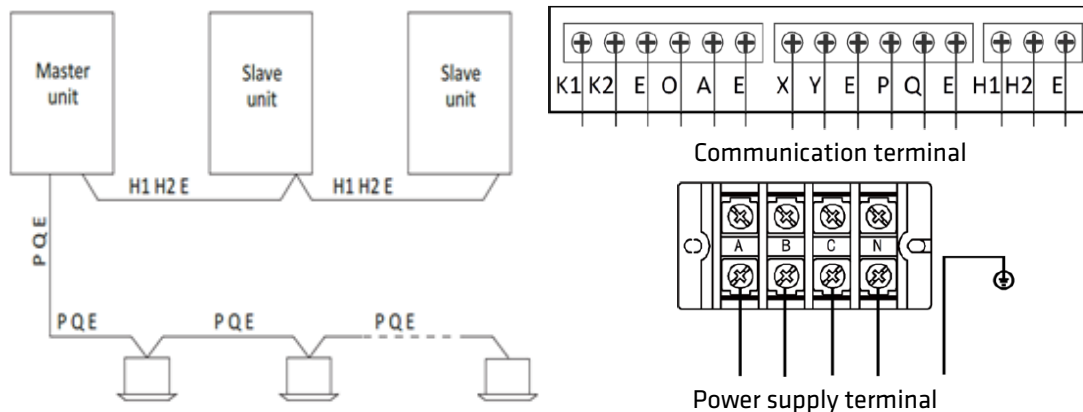
Product certified by:



FEATURES

Model	K2F-730 DN5S
Max. indoor units	64
Cooling capacity	73 kW
Cooling power input	34.280 W
Heating capacity	81,50 kW
Heating power input	25.230 W
SEER / SCOP	5,83 / 4,22
Airflow	25.000 m ³ /h
Max. static pressure	40 Pa
Sound pressure	68 dB(A)
Sound power	93 dB(A)
Working range (cooling/heating)	-5 - 48°C / -23 - 24°C
Refrigerating pipes	Ø7/8" / Ø11/2"
Refrigerant charge	22 kg
Power supply	380-415 V / 3 / 50 Hz
Max. input	63 A
Power wiring	(4+T)x25 mm ²
Shielded communication wiring	3x0,75 mm ²

WIRING DIAGRAM



NOTES:

- (1) The data and specifications in this sheet are subject to change without notice.
- (2) The images in this sheet are for guidance only and may be different from the actual machine.
- (3) Cooling capacity conditions: Indoor temperature 27°C DB/19°C WB; Outdoor temperature 35°C DB; Equivalent refrigerant piping length 7.5 m with zero level difference; Data calculated with Duct type indoor unit. Heating capacity conditions: Indoor temperature 20°C DB; Outdoor temperature 7°C DB/6°C WB; Equivalent refrigerant piping length 7.5 m with zero level difference; Data calculated with Duct type indoor unit.
- (4) Diameters given are those for the pipe connecting the outdoor unit combination to the first indoor branch joint for systems with total equivalent liquid piping lengths of less than 90 m. For systems with total equivalent liquid piping lengths of 90 m or longer, please refer to the Engineering Data Book for connection piping diameters.
- (5) Sound pressure level is measured at a position 1 m in front of the unit and 1.3 m above the floor in a semi-anechoic chamber.

PIPELINE LENGTH

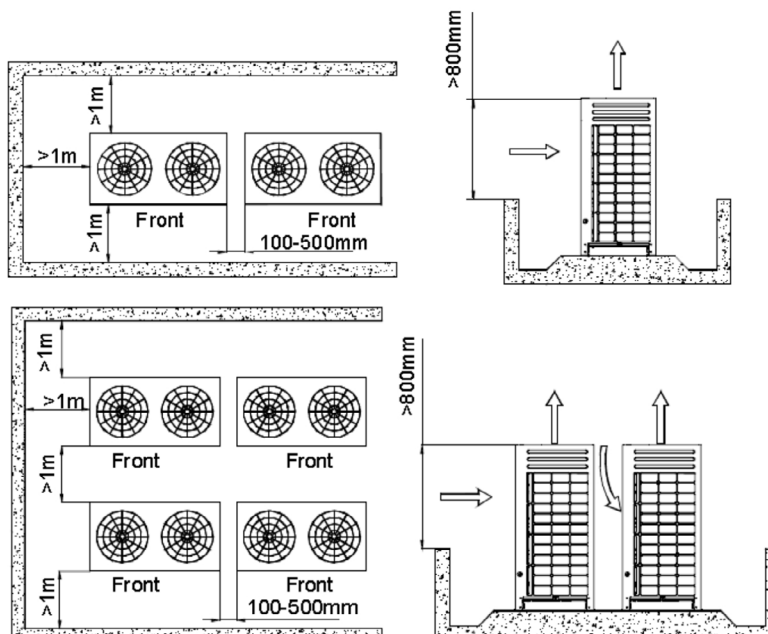
Max. pipe length		1.000 m
Max. distance between outdoor unit and further indoor unit	Real	175 m
	Equivalent	200 m
From first branch joint to the further indoor unit (query*)		40 m (90 m*)
Height difference	Outdoor unit over	90 m
	Outdoor unit below	110 m
Height difference between indoor units		30 m

DIMENSIONS & WEIGHT

Width	1.730 mm
Height	1.830 mm
Depth	850 mm
Weight	430 kg



INSTALLATION



Amazon V

K2F-785 DN5S

PRODUCT SHEET



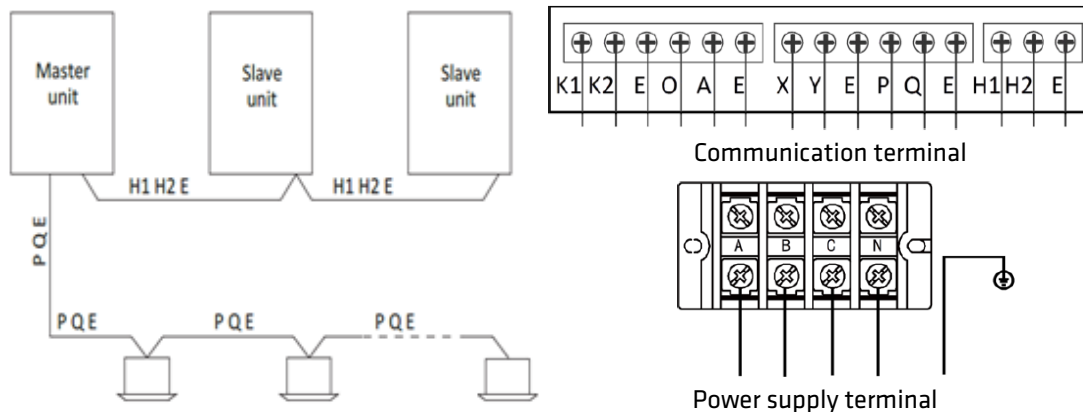
Product certified by:



FEATURES

Model	K2F-785 DN5S
Max. indoor units	64
Cooling capacity	75,50 kW
Cooling power input	37.240 W
Heating capacity	84,20 kW
Heating power input	28.560 W
SEER / SCOP	5,43 / 4,59
Airflow	25.000 m ³ /h
Max. static pressure	40 Pa
Sound pressure	68 dB(A)
Sound power	93 dB(A)
Working range (cooling/heating)	-5 - 48°C / -23 - 24°C
Refrigerating pipes	Ø7/8" / Ø11/2"
Refrigerant charge	22 kg
Power supply	380-415 V / 3 / 50 Hz
Max. input	63 A
Power wiring	(4+T)x25 mm ²
Shielded communication wiring	3x0,75 mm ²

WIRING DIAGRAM



NOTES:

- (1) The data and specifications in this sheet are subject to change without notice.
- (2) The images in this sheet are for guidance only and may be different from the actual machine.
- (3) Cooling capacity conditions: Indoor temperature 27°C DB/19°C WB; Outdoor temperature 35°C DB; Equivalent refrigerant piping length 7.5 m with zero level difference; Data calculated with Duct type indoor unit. Heating capacity conditions: Indoor temperature 20°C DB; Outdoor temperature 7°C DB/6°C WB; Equivalent refrigerant piping length 7.5 m with zero level difference; Data calculated with Duct type indoor unit.
- (4) Diameters given are those for the pipe connecting the outdoor unit combination to the first indoor branch joint for systems with total equivalent liquid piping lengths of less than 90 m. For systems with total equivalent liquid piping lengths of 90 m or longer, please refer to the Engineering Data Book for connection piping diameters.
- (5) Sound pressure level is measured at a position 1 m in front of the unit and 1.3 m above the floor in a semi-anechoic chamber.

PIPELINE LENGTH

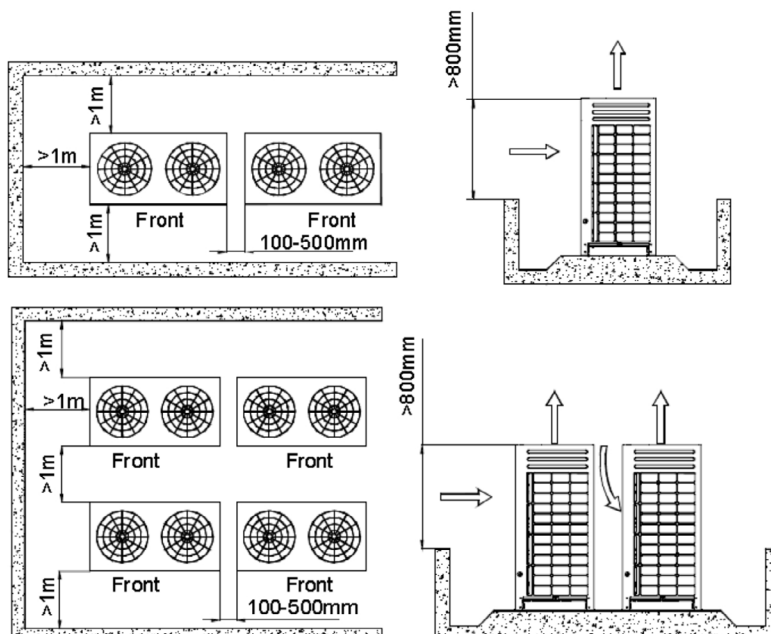
Max. pipe length		1.000 m
Max. distance between outdoor unit and further indoor unit	Real	175 m
	Equivalent	200 m
From first branch joint to the further indoor unit (query*)		40 m (90 m*)
Height difference	Outdoor unit over	90 m
	Outdoor unit below	110 m
Height difference between indoor units		30 m

DIMENSIONS & WEIGHT

Width	1.730 mm
Height	1.830 mm
Depth	850 mm
Weight	430 kg



INSTALLATION



Amazon V

K2F-850 DN5S

PRODUCT SHEET



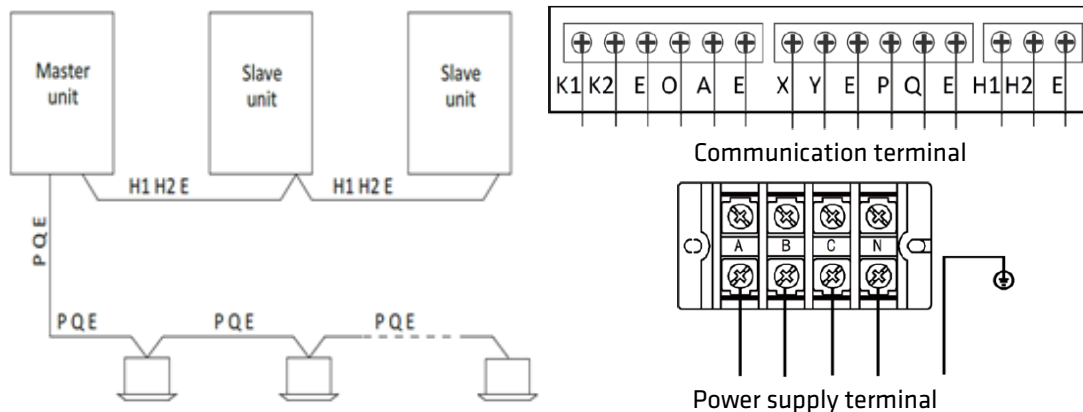
Product certified by:



FEATURES

Model	K2F-850 DN5S
Max. indoor units	64
Cooling capacity	85 kW
Cooling power input	44.880 W
Heating capacity	95 kW
Heating power input	27.530 W
SEER / SCOP	5,68 / 4,45
Airflow	24.000 m ³ /h
Max. static pressure	40 Pa
Sound pressure	68 dB(A)
Sound power	93 dB(A)
Working range (cooling/heating)	-5 - 48°C / -23 - 24°C
Refrigerating pipes	Ø7/8" / Ø11/2"
Refrigerant charge	25 kg
Power supply	380-415 V / 3 / 50 Hz
Max. input	80 A
Power wiring	(4+T)x25 mm ²
Shielded communication wiring	3x0,75 mm ²

WIRING DIAGRAM



NOTES:

- (1) The data and specifications in this sheet are subject to change without notice.
- (2) The images in this sheet are for guidance only and may be different from the actual machine.
- (3) Cooling capacity conditions: Indoor temperature 27°C DB/19°C WB; Outdoor temperature 35°C DB; Equivalent refrigerant piping length 7.5 m with zero level difference; Data calculated with Duct type indoor unit. Heating capacity conditions: Indoor temperature 20°C DB; Outdoor temperature 7°C DB/6°C WB; Equivalent refrigerant piping length 7.5 m with zero level difference; Data calculated with Duct type indoor unit.
- (4) Diameters given are those for the pipe connecting the outdoor unit combination to the first indoor branch joint for systems with total equivalent liquid piping lengths of less than 90 m. For systems with total equivalent liquid piping lengths of 90 m or longer, please refer to the Engineering Data Book for connection piping diameters.
- (5) Sound pressure level is measured at a position 1 m in front of the unit and 1.3 m above the floor in a semi-anechoic chamber.

PIPELINE LENGTH

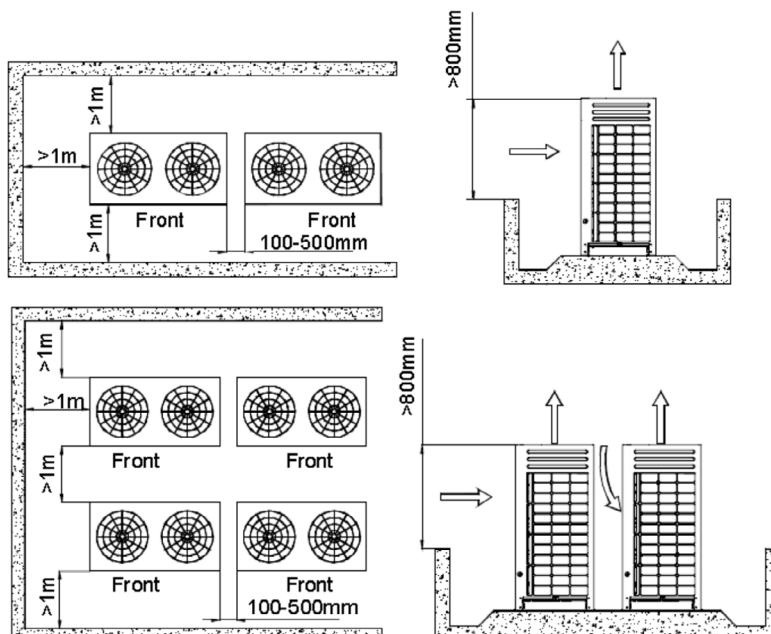
Max. pipe length		1.000 m
Max. distance between outdoor unit and further indoor unit	Real	175 m
	Equivalent	200 m
From first branch joint to the further indoor unit (query*)		40 m (90 m*)
Height difference	Outdoor unit over	90 m
	Outdoor unit below	110 m
Height difference between indoor units		30 m

DIMENSIONS & WEIGHT

Width	1.730 mm
Height	1.830 mm
Depth	850 mm
Weight	475 kg



INSTALLATION



Amazon V

K2F-900 DN5S

PRODUCT SHEET



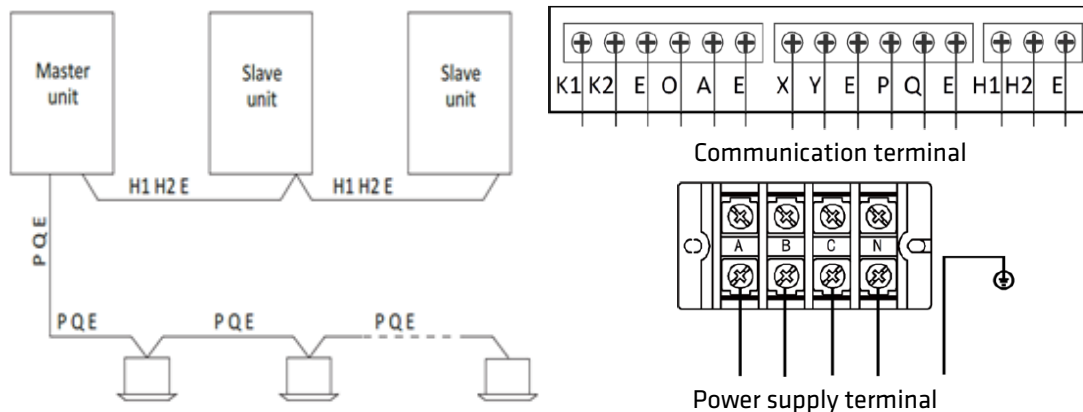
Product certified by:



FEATURES

Model	K2F-900 DN5S
Max. indoor units	64
Cooling capacity	90 kW
Cooling power input	44.880 W
Heating capacity	100 kW
Heating power input	30.330 W
SEER / SCOP	5,83 / 4,22
Airflow	24.000 m ³ /h
Max. static pressure	40 Pa
Sound pressure	68 dB(A)
Sound power	93 dB(A)
Working range (cooling/heating)	-5 - 48°C / -23 - 24°C
Refrigerating pipes	Ø7/8" / Ø11/2"
Refrigerant charge	25 kg
Power supply	380-415 V / 3 / 50 Hz
Max. input	80 A
Power wiring	(4+T)x25 mm ²
Shielded communication wiring	3x0,75 mm ²

WIRING DIAGRAM



NOTES:

- (1) The data and specifications in this sheet are subject to change without notice.
- (2) The images in this sheet are for guidance only and may be different from the actual machine.
- (3) Cooling capacity conditions: Indoor temperature 27°C DB/19°C WB; Outdoor temperature 35°C DB; Equivalent refrigerant piping length 7.5 m with zero level difference; Data calculated with Duct type indoor unit. Heating capacity conditions: Indoor temperature 20°C DB; Outdoor temperature 7°C DB/6°C WB; Equivalent refrigerant piping length 7.5 m with zero level difference; Data calculated with Duct type indoor unit.
- (4) Diameters given are those for the pipe connecting the outdoor unit combination to the first indoor branch joint for systems with total equivalent liquid piping lengths of less than 90 m. For systems with total equivalent liquid piping lengths of 90 m or longer, please refer to the Engineering Data Book for connection piping diameters.
- (5) Sound pressure level is measured at a position 1 m in front of the unit and 1.3 m above the floor in a semi-anechoic chamber.

PIPELINE LENGTH

Max. pipe length		1.000 m
Max. distance between outdoor unit and further indoor unit	Real	175 m
	Equivalent	200 m
From first branch joint to the further indoor unit (query*)		40 m (90 m*)
Height difference	Outdoor unit over	90 m
	Outdoor unit below	110 m
Height difference between indoor units		30 m

DIMENSIONS & WEIGHT

Width	1.730 mm
Height	1.830 mm
Depth	850 mm
Weight	475 kg



INSTALLATION

